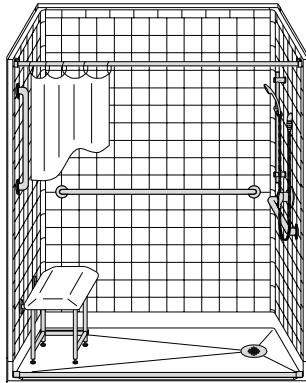


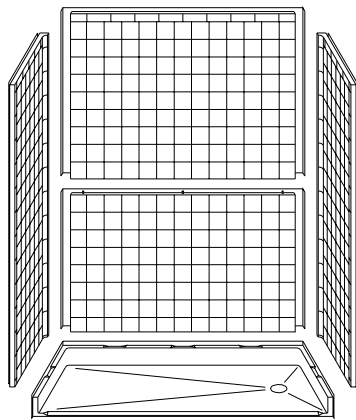
MODEL: 5LRS6030FE75B*

ALL ACCESSORIES OPTIONAL

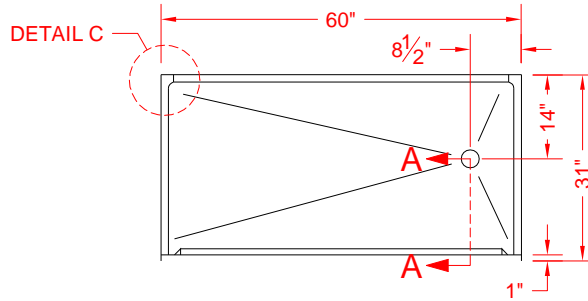
BARRIER FREE



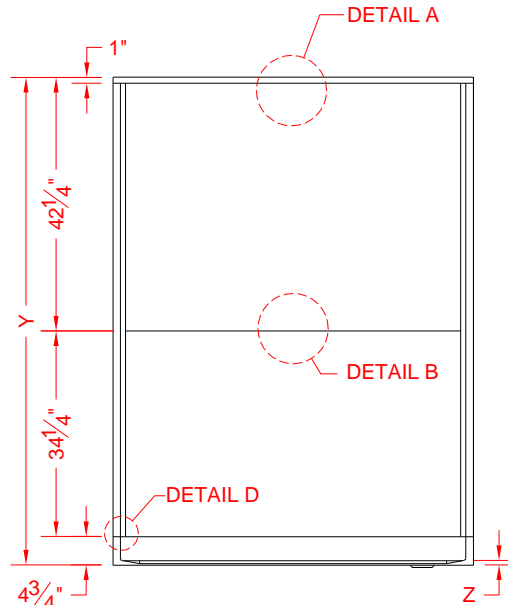
PERSPECTIVE VIEW - N.T.S.
MODEL SHOWN HERE AS:
 RIGHT PLUMBING
 LEFT SEAT
 RIGHT DRAIN



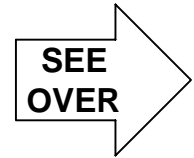
ASSEMBLY VIEW - N.T.S.



TOP VIEW - SCALE: 3/8" = 1'-0"



FRONT ELEVATION - SCALE: 3/8" = 1'-0"



Features:

- Molded, 5 piece gelcoat/fiberglass barrier free shower module
- Available in various threshold heights
- "RealTile" wall finish, white (standard)
- Integral full wood backing for strength and unlimited accessory placement
- On all threshold heights 1-1/2" or taller, no mud set is required
- On all threshold heights 1-1/4" or shorter, no mud set is required and an anchoring adhesive kit is supplied
- Flat upper back wall to avoid interference for window trim kits, grab bars, etc.

	UNIT HEIGHT	THRESHOLD HEIGHT
MODEL #	Y	Z*
5LRS6030FE75B	81-1/4"	3/4" MIN.
5LRS6030FE15B	82"	1-1/2" MAX.

* - SEE BACK FOR DETAIL SECTIONS

PRODUCT SPECIFICATIONS:

- Multi piece shower module shall be constructed of gelcoat/fiberglass with full integral plywood backing
- Rough-In: Stud opening +1/4" -0" Nominal Dimensions.

C.S.I. FORMAT SPECIFICATION TEXT AVAILABLE

PRODUCT INFORMATION:

- Accessories: Polished chrome/satin stainless standard, others available.
- Colors: White as standard, others to match any major fixture manufacturer, also available with sprayable solid surface in many colors
- Custom curb heights, other than shown, are available (between min. and max.)

ACCESSORIES:

INSTALLED BY OTHERS:

- Grab bar
- Seat, folding
- Mixing valve, pressure balanced, lever handle, preplumbed tree to supply elbow
- Soap dish
- Curtain and rod
- T-Shaped Rubber WaterStopper Kit
- Semi-permanent Threshold Adaptor
- Caulkless drain

CODES:

- Designed and manufactured in compliance with the following standards and codes:
- A.N.S.I. Z124.2 Standards for Plastic Showers
 - I.P.C. International Plumbing Code
 - U.P.C. Uniform Plumbing Code

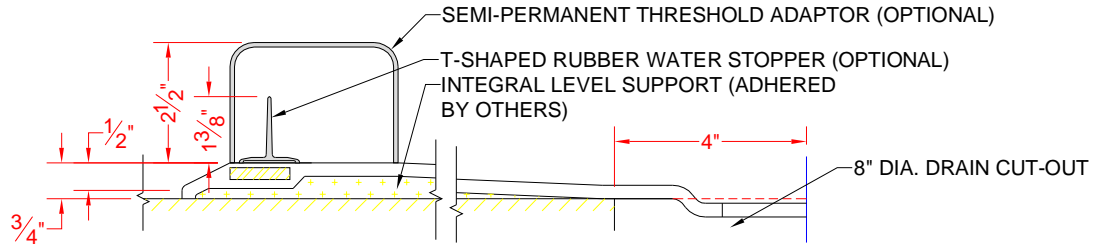
NOTICE OF LIMITATION:



BEST BATH SYSTEMS INC.
 www.best-bath.com 1-800-727-9907

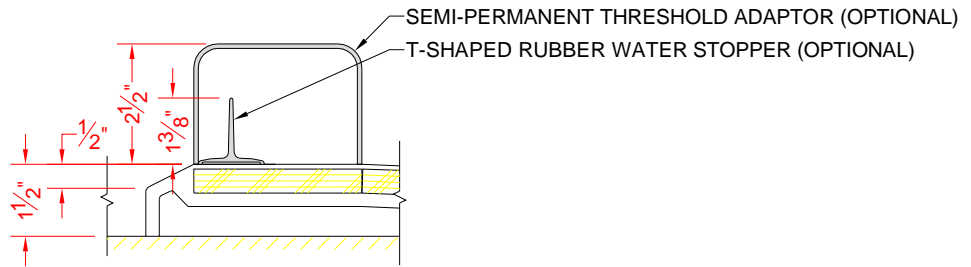
We reserve the right to make revisions without notice in the design of fixtures or in packaging unless this right has specifically been waived at the time the order is accepted.

□ 5LRS603FE75B



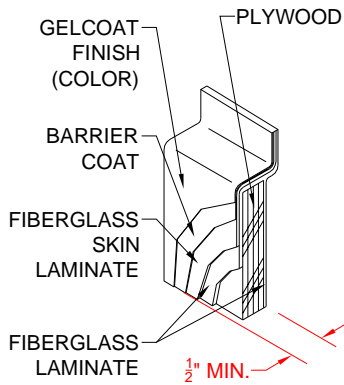
SECTION A-A - SCALE: 3" = 1'-0"

□ 5LRS6030FE15B

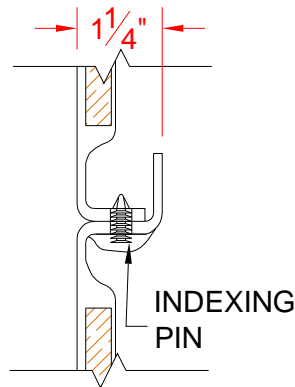


SECTION A-A - SCALE: 3" = 1'-0"

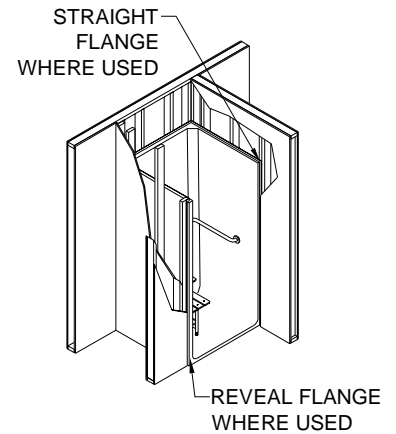
****OTHER THRESHOLD HEIGHTS AVAILABLE UPON REQUEST****



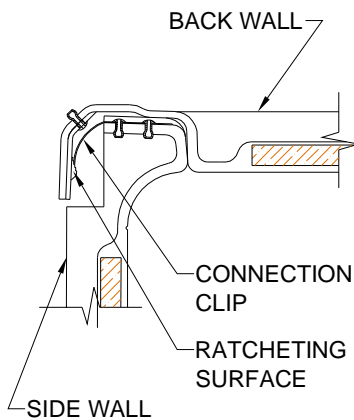
DETAIL A - SCALE: 3" = 1'-0"
WALL SECTION DETAIL



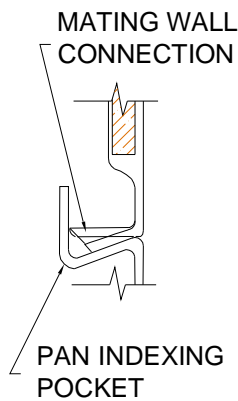
DETAIL B - SCALE: 3" = 1'-0"
BACKWALL JOINT DETAIL



TYPICAL FRAMING



DETAIL C - SCALE: NTS
WALL JOINT DETAIL



DETAIL D - SCALE: NTS
PAN JOINT DETAIL



BEST BATH SYSTEMS INC.
www.best-bath.com 1-800-727-9907