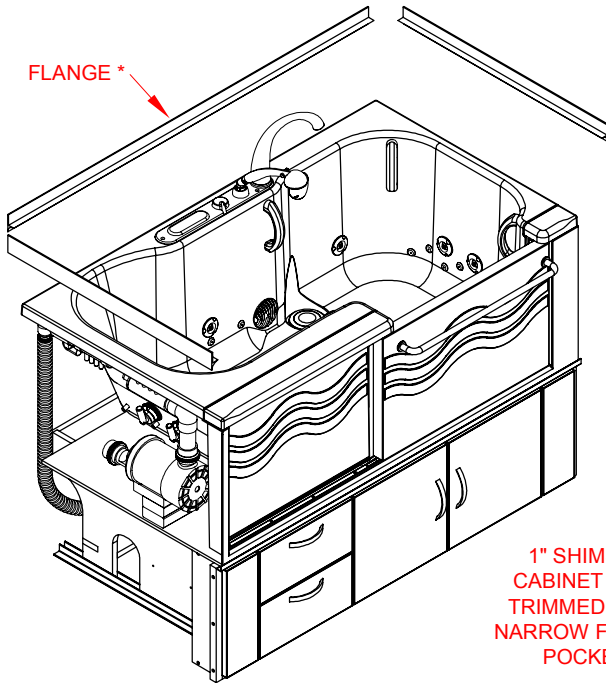
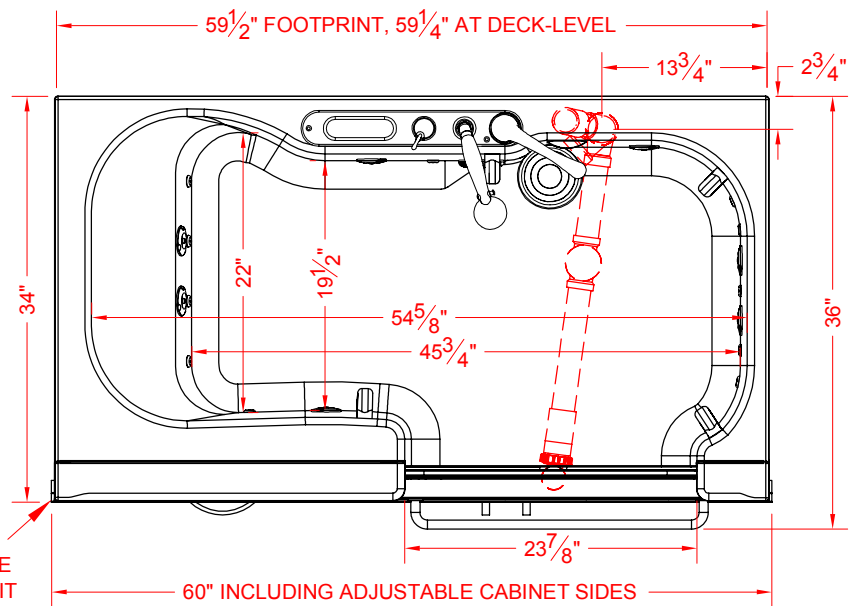


MODEL: ADLT6035 - GEN 2

ADL Spa Electronic Touch



PERSPECTIVE VIEW - N.T.S.
MODEL SHOWN HERE AS:
RIGHT DRAIN
RIGHT DOOR OPENING
RIGHT HAND UNIT

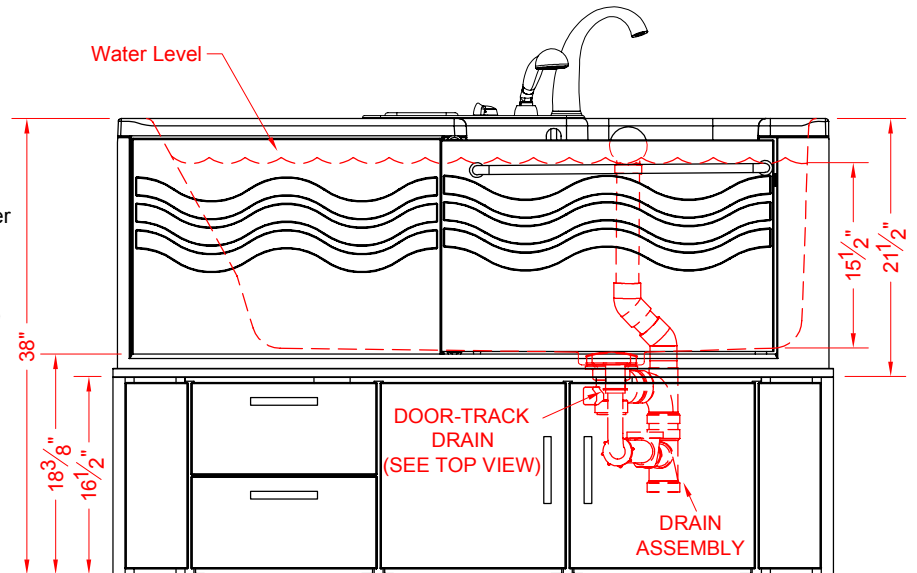


1" SHIMS ON CABINET TO BE TRIMMED TO FIT NARROW FRAMING POCKETS

TOP VIEW - SCALE 3/4" = 1'-0"

Features:

- Slide-in-entry bathtub with sliding door
- All Electronic Touch Control System (no levers) for: high-flow 3/4" valve fill, thermostatically controlled fill temperature, diverter to hand held shower and water and air jet systems
- Extra deep for a full body soak
- Allows you the freedom to rehab at home
- 7 jet hydromassage water jet system with Syllent brand pump
- 15 jet heated air jet system
- Ozone sanitation for water jet system
- Unique sliding door with automatic safety latch
- Right or left door opening available
- 2" quick-drain system included
- Ergonomic deck-mounted drain control lever
- 60" x 3/4" hot and cold supply lines provided
- Limited lifetime warranty



FRONT VIEW - SCALE: 3/4" = 1'-0"

We reserve the right to make revisions without notice in the design of fixtures or in packaging unless this right has specifically been waived at the time the order is accepted.

PRODUCT SPECIFICATIONS:

- Sliding Door bathtub with pressure sealed door shall be of gelcoat / fiberglass construction, have an access panel for access to plumbing and electrical components.
- Rough-In: Stud opening +1/4" -0" Nominal Dimensions.
- C.S.I. FORMAT SPECIFICATION TEXT AVAILABLE

**NOTE: 3/4" hot and cold supply lines are recommended to reduce fill time.

PRODUCT INFORMATION:

- Accessories: Factory installed Safety Handle Bars and Electronic Touch Valve System with plumbing rough-in, all others installed by others.
- Colors: White as standard, Almond optional
- Also available with sprayable solid surface in many colors
- Fill volume with a 170 lbs. bather: 70 gallons
- Hot water heater recommendation 75-85 gallon
- No user weight limit
- Power Requirements:**
- Water jet system 120V/15A (draws 9.4A)
- Air jet System 120V/15A (draws 9.5A)
- Ozone Generator 120V/15A (draws 0.4A)
- Water Pump - US: Syllent MB71E0032AS/UL
- CAN: Syllent MB71E0032AS/UL-M
- Air Pump - US/CAN: CG Air SLO-3-75-120/60A-N
- Suction Fitting: CG Air SUC-S

ACCESSORIES:

STANDARD:

- Electronic Touch Control 3/4" valve system
- Water and air jet systems
- Ozone sanitation for water jet system
- Lever-operated 2" quick-drain kit
- Safety assist bars
- White cabinet base
- * Plastic nail flange material for alcove install

OPTIONAL:

- Two or three wall surround
- Grab bars for installation on wall surround
- Wood grain cabinet base upgrade
- Harness and seat strap system
- Ergonomic door latch extension handle

PRODUCT COMPLIANCE:

Designed, manufactured, and listed in compliance with the following:

STANDARDS

- CSA B45.5-11/1APMO Z124-2011 - Plastic showers and bathtubs
- ASME A112.19.7/CSA B45.10-2012 - Whirlpool bathtub appliances (when applicable)
- ASME A112.19.15-2012/CSA B45-2002 - Whirlpool bathtubs with pressure-sealed doors
- UL 1795 Hydro massage bathtubs (when applicable)

CODES

- Uniform Plumbing Code (UPC®)
- National Plumbing Code of Canada
- International Plumbing Code (IPC®)
- Uniform Swimming Pool, Spa, and Hot Tub Code (USPC®) (when applicable)



BEST BATH SYSTEMS, INC.
 www.best-bath.com 1-800-727-9907

Rev A 6-14