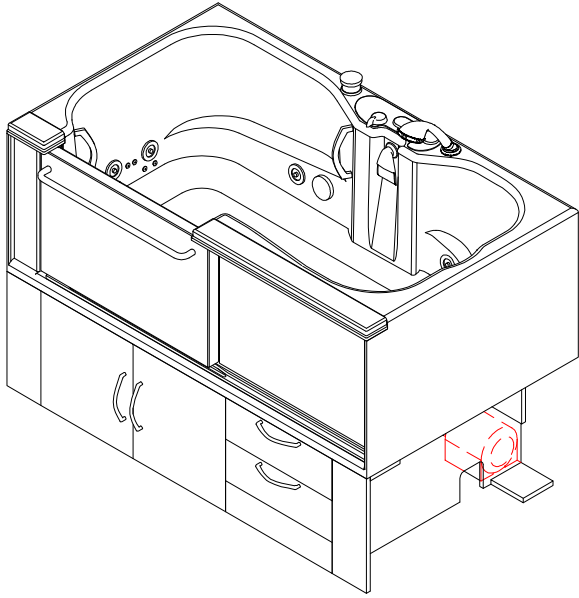
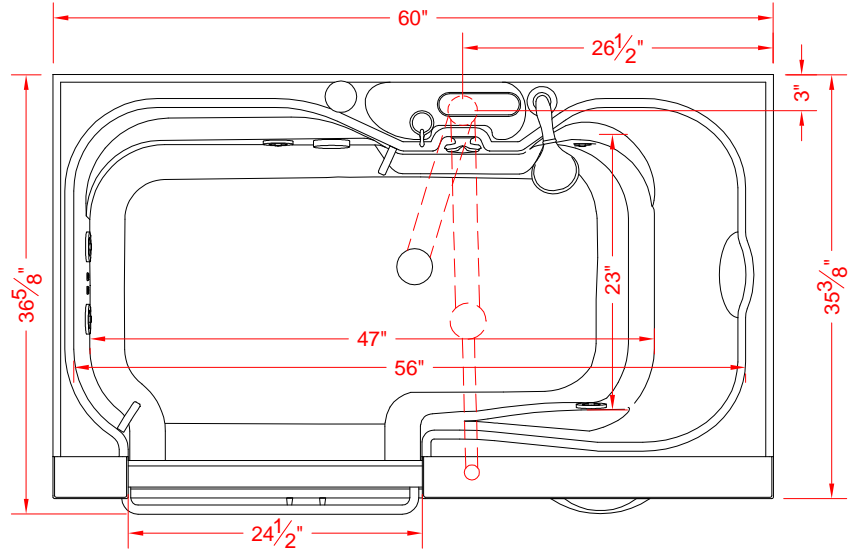


MODEL: ADLT6035 ADL Spa Electronic Touch Control



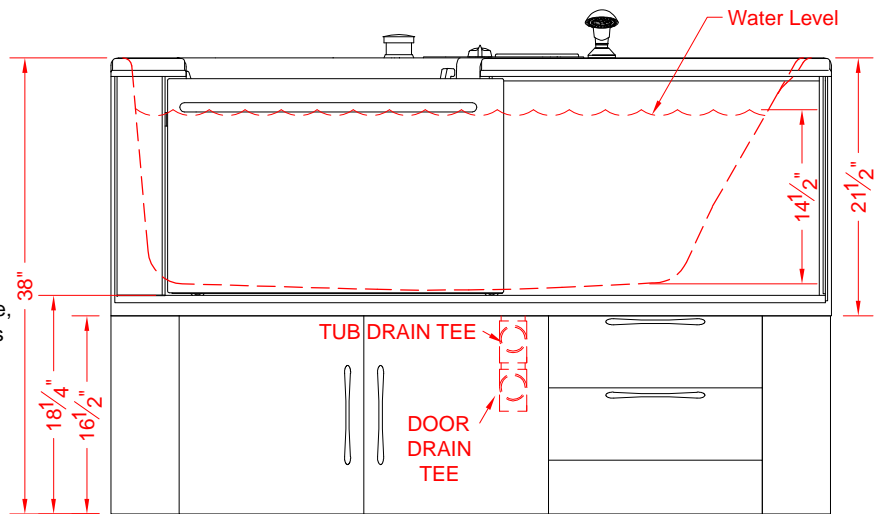
**PERSPECTIVE VIEW - N.T.S.
MODEL SHOWN HERE AS:
RIGHT HAND PLUMBING
LEFT DOOR OPENING**



TOP VIEW - SCALE 3/4" = 1'-0"

Features:

- Slide-in bathtub with door
- Electronic Touch Control System controls fill, fill temperature, diverter to hand held shower, and Water and Air Jet Systems
- Extra deep for a full body soak
- 7 Jet Hydromassage Water Jet System
- 15 Jet Heated Air Jet System
- Allows you the freedom to rehab at home
- Ozone sanitation system
- Unique sliding door and automatic safety latch
- Right or left door opening
- Ergonomic deck-mounted chrome drain control lever
- Limited lifetime warranty



FRONT VIEW - SCALE: 3/4" = 1'-0"

PRODUCT SPECIFICATIONS:

- Sliding Door bathtub with pressure sealed door shall be of gelcoat / fiberglass construction, have an access panel for access to plumbing and electrical components.
- Rough-In: Stud opening +1/4" -0" Nominal Dimensions.
- C.S.I. FORMAT SPECIFICATION TEXT AVAILABLE

****NOTE:** 3/4" hot and cold supply lines are recommended to reduce fill time.

PRODUCT INFORMATION:

- Accessories: Factory installed Safety Handle Bars and Electronic Touch Valve System with plumbing rough-in, all others installed by others.
- Colors: White as standard, Almond optional
- Also available with sprayable solid surface in many colors

Power Requirements:

- Water jet system 120V/15A (draws 9.4A)
- Air jet System 120V/15A (draws 9.5A)
- Ozone Generator 120V/15A (draws 0.4A)
- Water Pump - US: Syllent MB71E0032AS/UL
- CAN: Syllent MB71E0032AS/UL-M
- Air Pump - US/CAN: CG Air SLO-3-75-120/60A-N
- Suction Fitting: CG Air SUC-S

ACCESSORIES:

STANDARD:

- Electronic Touch Control 3/4" valve system
- Water jet system
- Air jet system
- Ozone sanitation system
- Lever operated drain
- Safety assist bars
- White cabinet base

OPTIONAL:

- Two or three wall surround
- Grab bars for installation on wall surround
- Wood grain cabinet base upgrade
- Harness and seat strap system

CODES:

Designed and manufactured in compliance with the following standards and codes:

- I.A.P.M.O. / A.N.S.I. Z124.1.2-2005 Plastic Bathtubs and Showers
- A.S.M.E. A112.19.7M-1995 Whirlpool Bathtub Appliances
- A.S.M.E. A112.19.8M-1987 Suction Fittings for use in Whirlpool Bathtubs
- A.S.M.E. A112.19.15-2001 Bathtubs/Whirlpool Bathtubs with pressure sealed doors
- Underwriters Laboratories 1795 Hydro Massage Bathtubs



BEST BATH SYSTEMS INC.
www.best-bath.com 1-800-727-9907

We reserve the right to make revisions without notice in the design of fixtures or in packaging unless this right has specifically been waived at the time the order is accepted.