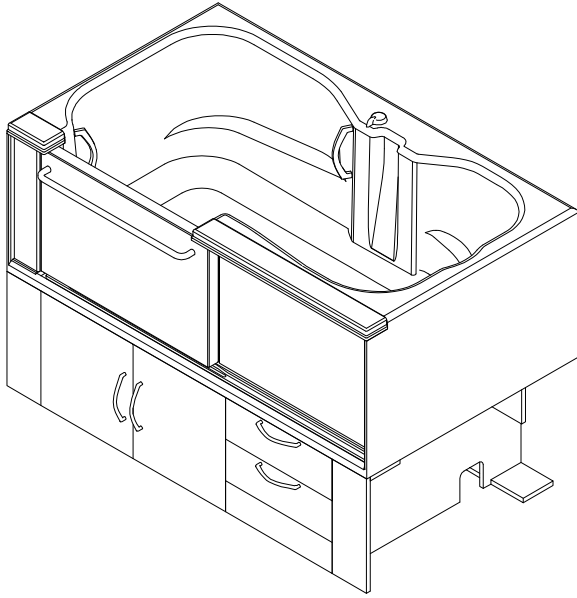
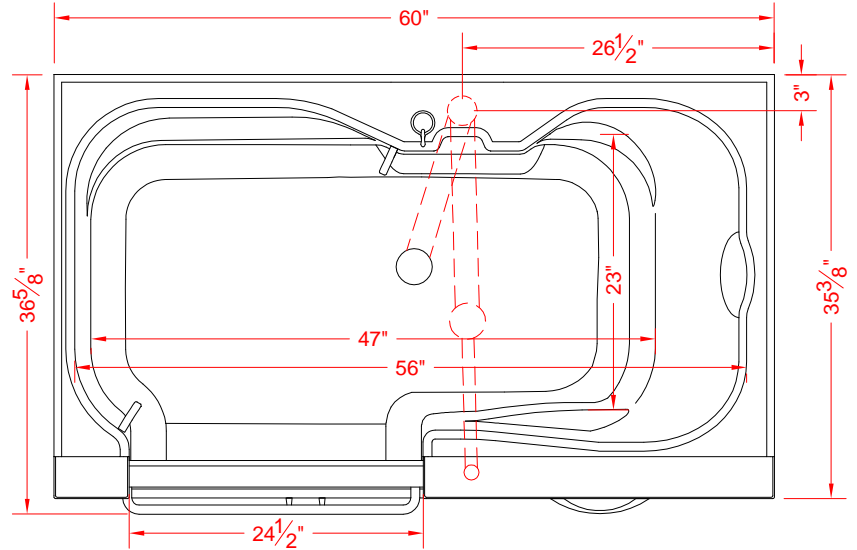


# MODEL: ADLE6035

# ADL Spa Economy



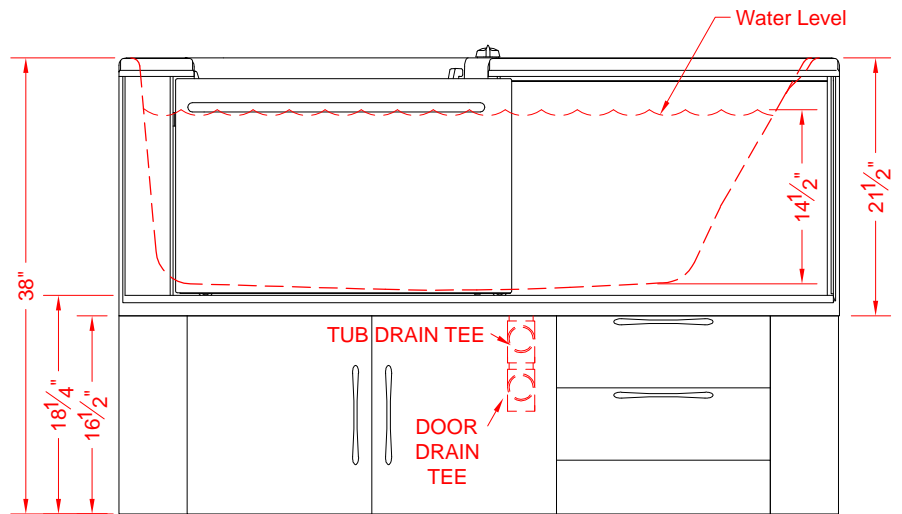
**PERSPECTIVE VIEW - N.T.S.**  
**MODEL SHOWN HERE AS:**  
**RIGHT HAND PLUMBING**  
**LEFT DOOR OPENING**



**TOP VIEW - SCALE 3/4" = 1'-0"**

## Features:

- Slide-in bathtub with door
- Extra deep for a full body soak
- Unique sliding door and automatic safety latch
- Right or left door opening
- Ergonomic deck-mounted chrome drain control lever
- Limited lifetime warranty



**FRONT VIEW - SCALE: 3/4" = 1'-0"**

## PRODUCT SPECIFICATIONS:

- Sliding Door bathtub with pressure sealed door shall be of gelcoat / fiberglass construction, have an access panel for access to plumbing and electrical components.
- Rough-In: Stud opening +1/4" -0" Nominal Dimensions.
- C.S.I. FORMAT SPECIFICATION TEXT AVAILABLE

**\*\*NOTE:** 3/4" hot and cold supply lines are recommended to reduce fill time.

## PRODUCT INFORMATION:

- Accessories: Factory installed drain lever, all others installed by others.
- Colors: White as standard, Almond optional
- Also available with sprayable solid surface in many colors

*We reserve the right to make revisions without notice in the design of fixtures or in packaging unless this right has specifically been waived at the time the order is accepted.*

## ACCESSORIES:

### STANDARD:

- Lever operated drain
- Safety assist bars
- White cabinet base

### OPTIONAL:

- Water jet system
- Air jet system
- Ozone sanitation system
- Valve and hand shower package
- Two or three wall surround
- Grab bars for installation on wall surround
- Wood grain cabinet base upgrade
- Harness and seat strap system

## CODES:

Designed and manufactured in compliance with the following standards and codes:

- I.A.P.M.O. / A.N.S.I. Z124.1.2-2005 Plastic Bathtubs and Showers
- A.S.M.E. A112.19.15-2001 Bathtubs/Whirlpool Bathtubs with pressure sealed doors



**BEST BATH SYSTEMS INC.**  
 www.best-bath.com 1-800-727-9907