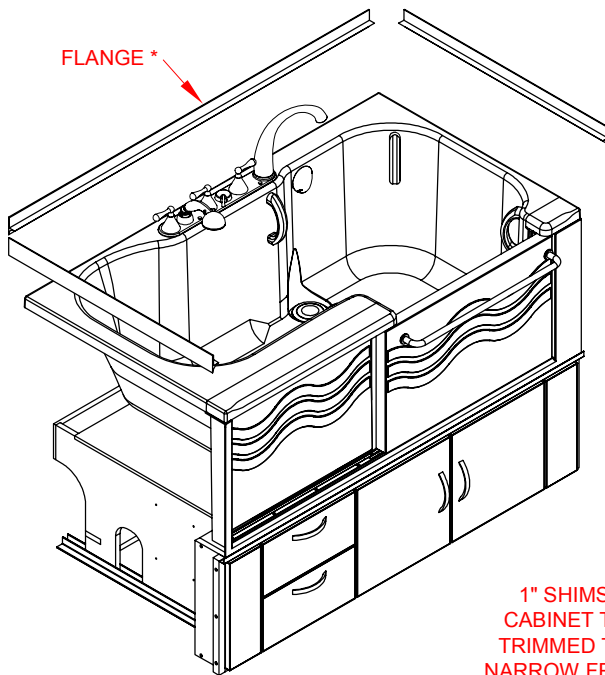
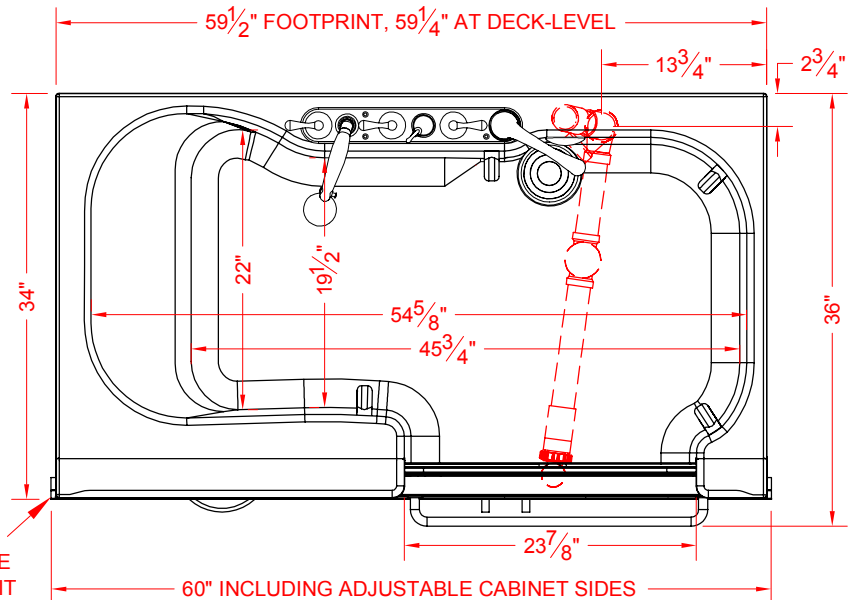


MODEL: ADLB6035

ADL Spa Basic



PERSPECTIVE VIEW - N.T.S.
MODEL SHOWN HERE AS:
RIGHT DRAIN
RIGHT DOOR OPENING
RIGHT HAND UNIT

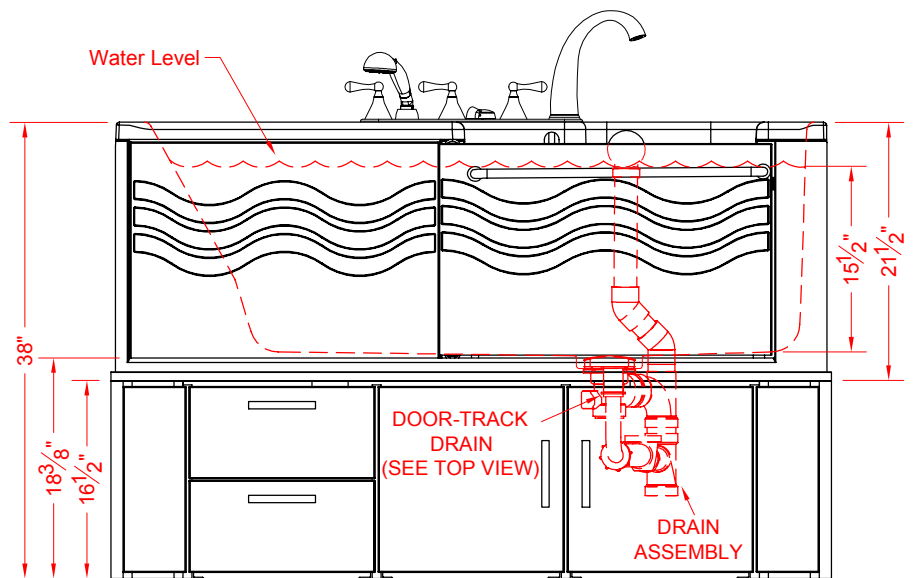


1" SHIMS ON
 CABINET TO BE
 TRIMMED TO FIT
 NARROW FRAMING
 POCKETS

TOP VIEW - SCALE 3/4" = 1'-0"

Features:

- Slide-in-entry bathtub with sliding door
- Premium 3/4" Valve System with valve, diverter, hand held shower, and bathtub filler
- Extra deep for a full body soak
- Allows you the freedom to rehab at home
- Unique sliding door with automatic safety latch
- Right or left door opening available
- 2" quick-drain system included
- Ergonomic deck-mounted chrome drain control lever
- 60" x 3/4" hot and cold supply lines provided
- Limited lifetime warranty



FRONT VIEW - SCALE: 3/4" = 1'-0"

PRODUCT SPECIFICATIONS:

-Sliding Door bathtub with pressure sealed door shall be of gelcoat fiberglass construction and have a matching access panel.
 -Rough-In: Stud opening +1/4" -0" Nominal Dimensions.
 C.S.I. FORMAT SPECIFICATION TEXT AVAILABLE

****NOTE:** 3/4" hot and cold supply lines are recommended to reduce fill time.

PRODUCT INFORMATION:

-Accessories: Factory installed safety handle bars and valve/filler package; all others installed by others.
 -Standard color is white with a white cabinet base. Additional tub gelcoat and sprayable solid surface colors are available as an upgrade, and a selection of 12 wood-grain cabinet faces can be special-ordered.
 -Average volume with 170 lbs. bather: 45 gal. (12" deep)
 -Max. volume with a 170 lbs. bather: 60 gal. (15-3/4" deep)
 -Hot water heater recommendation: 60-70 gallon
 -No user weight limit
 -Tub weight, dry, approx. 227 lbs.
 -Shipping wt. 300 lbs.
 -Total weight of tub, bather, and water: approx. 872 lbs.

We reserve the right to make revisions without notice in the design of fixtures or in packaging unless this right has specifically been waived at the time the order is accepted.
 11/2014

ACCESSORIES:

STANDARD:
 -Hand held shower package
 -Lever operated 2" quick-drain kit
 -Safety assist bars
 -White cabinet base
 - * Plastic nail flange material for alcove install

OPTIONAL:
 -Two or three wall surround
 -Grab bars for installation on wall surround
 -Wood grain cabinet base upgrade
 -Harness and seat strap system
 -Ergonomic door latch extension handle

PRODUCT COMPLIANCE:

Designed, manufactured, and listed in compliance with the following:

STANDARDS

- CSA B45.5-11 / IAPMO Z124-2011 - Plastic showers and bathtubs
- ASME A112.19.15-2012 / CSA B45-2002 - Whirlpool bathtubs with pressure-sealed doors

CODES

- Uniform Plumbing Code (UPC®)
- National Plumbing Code of Canada
- International Plumbing Code (IPC®)

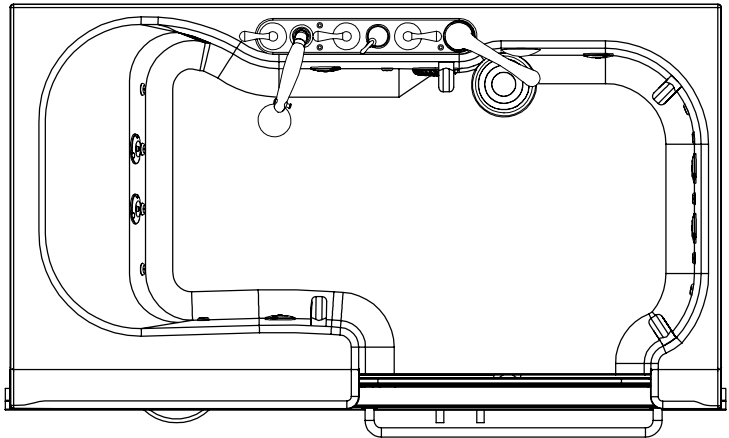


BEST BATH SYSTEMS INC.
 www.best-bath.com 1-800-727-9907

OPTIONAL JET PACKAGES

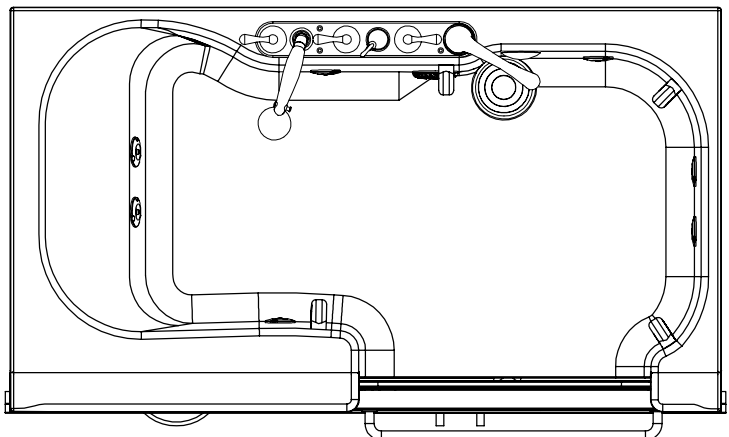
ADLB6035 with water and air jet systems

- Chrome USA..... KWAJCHADLUS
- Chrome Canada..... KWAJCHADLCAN
- White USA..... KWAJAAADLUS
- White Canada..... KWAJAAADLCAN
- Brushed USA..... KWAJBNADLUS
- Brushed Canada..... KWAJBNADLCAN
- (Brushed air jets, white water jets)
- Bone USA..... KWAJASADLUS
- Bone Canada..... KWAJASADLCAN
- (Bone water jets, chrome air jets)
- Ozone water jet system sanitation.. ACXCGA1001



ADLB6035 with water jet system

- Chrome USA..... KWJ7CHADLUS
- Chrome Canada..... KWJ7CHADLCAN
- White USA..... KWJ7AAADLUS
- White Canada..... KWJ7AAADLCAN
- Bone USA..... KWJ7ASADLUS
- Bone Canada..... KWJ7ASADLCAN
- Ozone water jet system sanitation.. ACXCGA1001



ADLB6035 with air jet system

- Chrome USA..... KAJCHADLUS
- Chrome Canada..... KAJCHADLCAN
- White USA..... KAJAAADLUS
- White Canada..... KAJAAADLCAN
- Brushed USA..... KAJBNADLUS
- Brushed Canada..... KAJBNADLCAN

- Tub weight, dry, approx. 262 lbs.
- Shipping wt. 345 lbs.
- Total weight of tub, bather, and water: approx. 907 lbs.

Power Requirements:

- Water jet system 120V/15A (draws 9.4A)
- Air jet System 120V/15A (draws 9.5A)
- Ozone Generator 120V/15A (draws 0.4A)
- Water Pump - US: Syllent MB71E0032AS/UL
- CAN: Syllent MB71E0032AS/UL-M
- Air Pump - US/CAN: CG Air SLO-3-75-120/60A-N
- Suction Fitting: CG Air SUC-S

