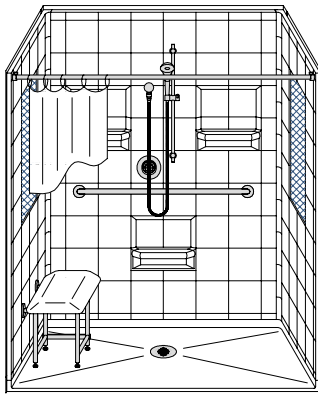


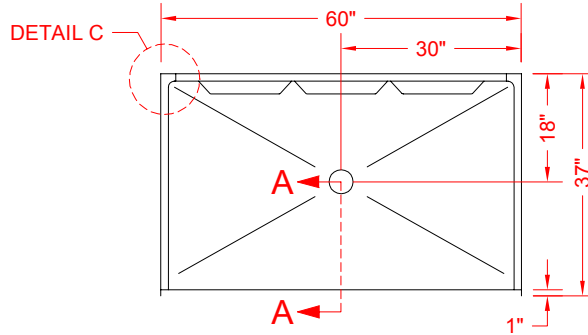
# MODEL: 5LES6036DS75T\*

# DESIGNER SERIES

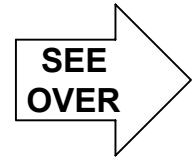
ALL ACCESSORIES OPTIONAL



PERSPECTIVE VIEW - N.T.S.

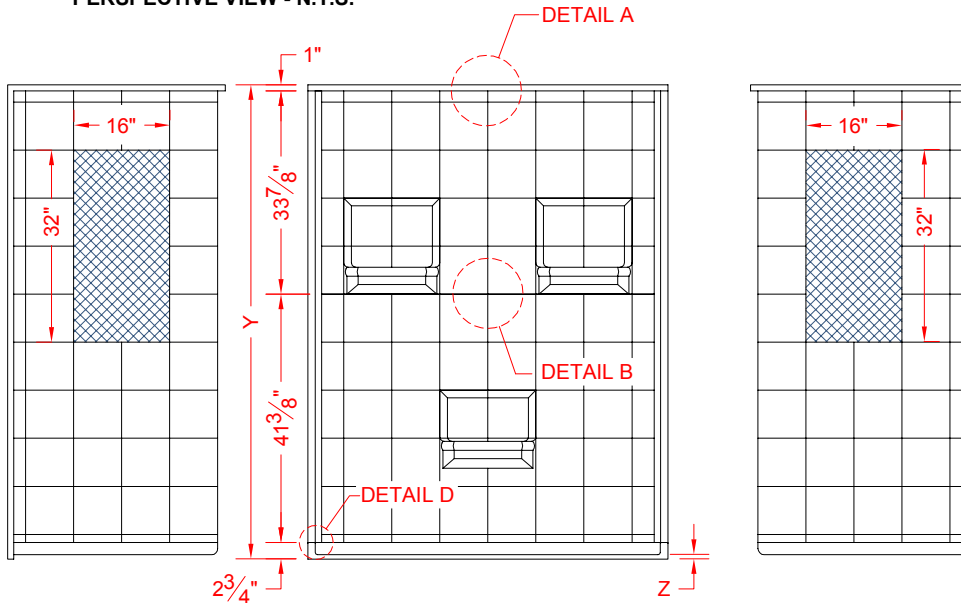


TOP VIEW - SCALE  $\frac{3}{8}'' = 1'-0''$



## Features:

- Molded, 5 piece gelcoat/fiberglass barrier free shower module
- $\frac{3}{8}''$  deep recessed areas to install real ceramic/glass tile accents
- Available in various threshold heights
- "Eight Inch Tile" wall finish, white (standard)
- Integral full wood backing for strength and unlimited accessory placement
- On all threshold heights 1-1/2" or taller, no mud set is required
- On all threshold heights 1-1/4" or shorter, no mud set is required and an anchoring adhesive kit is supplied



INT. LEFT ELEVATION

FRONT ELEVATION - SCALE:  $\frac{3}{8}'' = 1'-0''$

INT. RIGHT ELEVATION

\* - SEE BACK FOR DETAIL SECTIONS

	UNIT HEIGHT	THRESHOLD HEIGHT
MODEL #	Y	Z*
5LES6036DS75T	79"	3/4" MIN.
5LES6036DS2T	80-1/4"	2" MAX.

## PRODUCT SPECIFICATIONS:

- Multi piece shower module shall be constructed of gelcoat/fiberglass with full integral plywood backing
- Rough-In: Stud opening +1/4" -0" Nominal Dimensions.

C.S.I. FORMAT SPECIFICATION TEXT AVAILABLE

### PRODUCT INFORMATION:

- Accessories: Polished chrome/satin stainless standard, others available.
- Colors: White as standard, others to match any major fixture manufacturer, also available with sprayable solid surface in many colors
- Custom curb heights, other than shown, are available (between min. and max.)

### ACCESSORIES:

#### INSTALLED BY OTHERS:

- Grab bar
- Seat, folding
- Mixing valve, pressure balanced, lever handle, preplumbed tree to supply elbow
- Soap dish
- Curtain and rod
- T-Shaped Rubber WaterStopper Kit
- Semi-permanent Threshold Adaptor
- Caulkless drain

### CODES:

- Designed and manufactured in compliance with the following standards and codes:
- A.N.S.I. Z124.2 Standards for Plastic Showers
  - I.P.C. International Plumbing Code
  - U.P.C. Uniform Plumbing Code

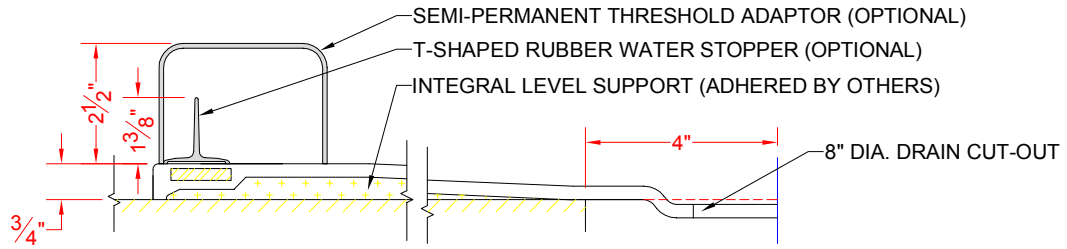
### NOTICE OF LIMITATION:



BEST BATH SYSTEMS INC.  
www.best-bath.com 1-800-727-9907

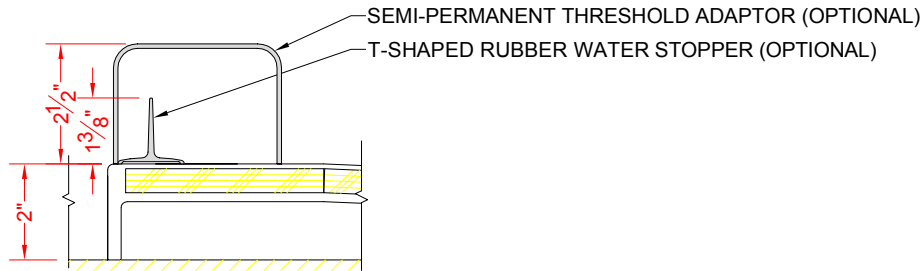
We reserve the right to make revisions without notice in the design of fixtures or in packaging unless this right has specifically been waived at the time the order is accepted.

□ 5LES6036DS75T



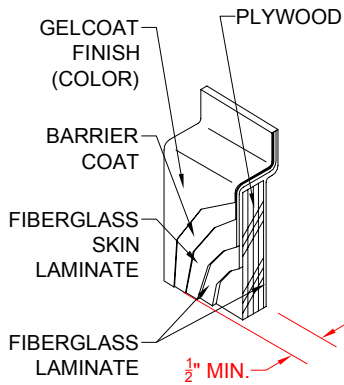
SECTION A-A - SCALE: 3" = 1'-0"

□ 5LES6036DS2T

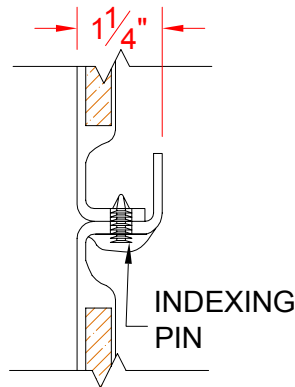


SECTION A-A - SCALE: 3" = 1'-0"

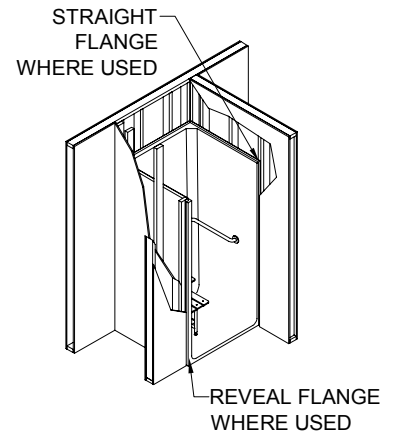
**\*\*OTHER THRESHOLD HEIGHTS AVAILABLE UPON REQUEST\*\***



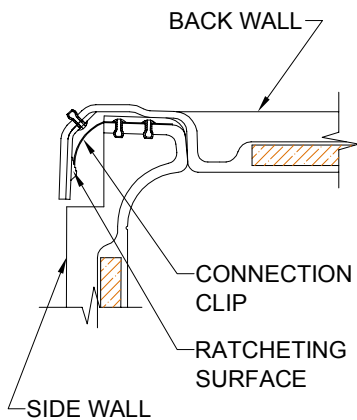
DETAIL A - SCALE: 3" = 1'-0"  
WALL SECTION DETAIL



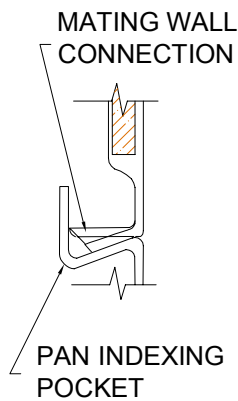
DETAIL B - SCALE: 3" = 1'-0"  
BACKWALL JOINT DETAIL



TYPICAL FRAMING



DETAIL C - SCALE: NTS  
WALL JOINT DETAIL



DETAIL D - SCALE: NTS  
PAN JOINT DETAIL