



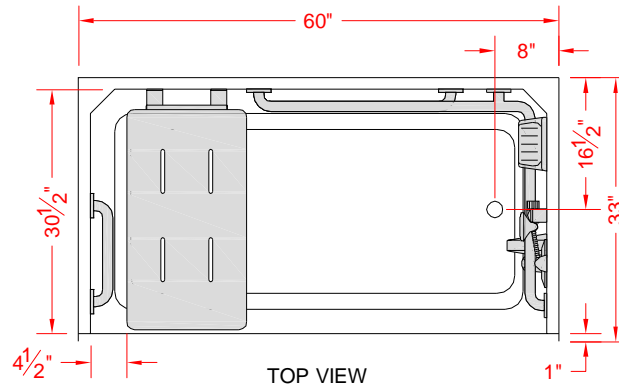
CA TITLE 24  
COMPLIANT



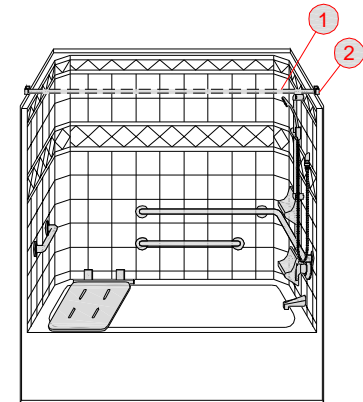
COMMERCIAL GRADE

MASTER

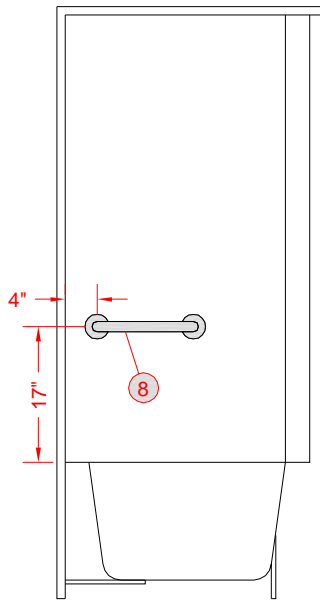
ACCESSIBLE



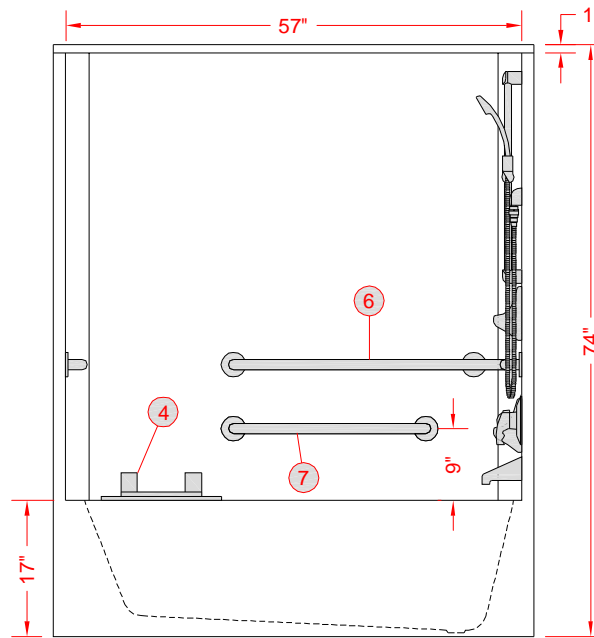
TOP VIEW



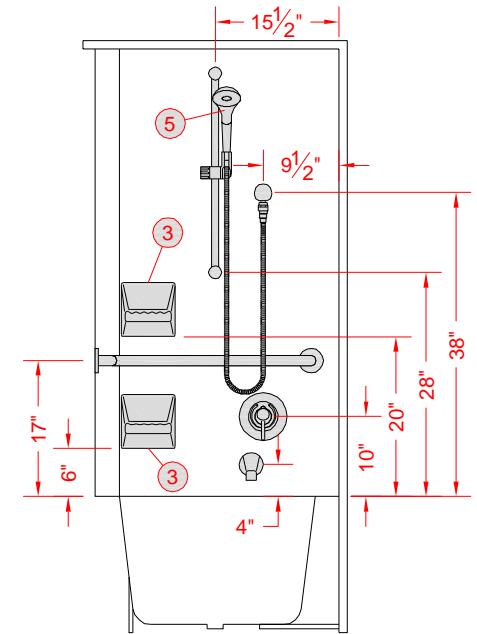
PERSPECTIVE - N.T.S.



LEFT ELEVATION



FRONT ELEVATION



RIGHT ELEVATION

REV	CHANGE	DATE
-	-	-
-	-	-
-	-	-
-	-	-

PROJECT:  
COMPANY:



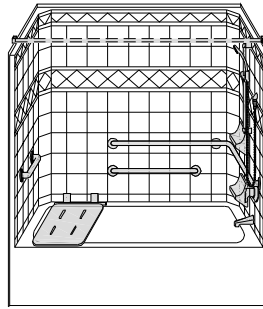
NOTES:  
ALL VERTICAL ACCESSORY DIMENSIONS ARE  
MEASURED FROM THE FLOOR OF THE SHOWER

DB:MA SCALE: 1/2" = 1'-0" DATE: 01/04/08

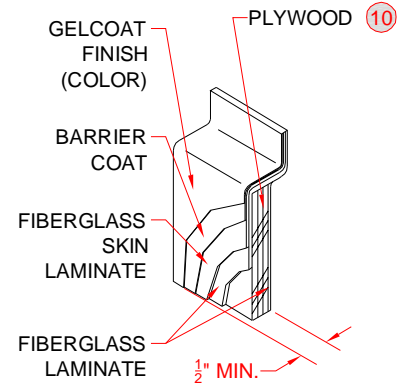
CB:PVR SHEET 1 OF 2 DRAWING NUMBER: 4581

ACCEPTED AS CORRECT BY:

X \_\_\_\_\_ / /



PERSPECTIVE N.T.S.



LAMINATE DETAIL C - SCALE: 3" = 1'-0"

SECTION A-A - SCALE: 3" = 1'-0"

UNIT WEIGHT:

NOTES:

KEY	QTY.	DESCRIPTION	COLOR	PART NUMBER	FACTORY INSTALLED	INSTALLED BY OTHERS	MARK LOCATION ONLY	PRE-DRILL HOLES
23	-		-	-				
22	-		-	-				
21	-		-	-				
20	-		-	-				
19	-		-	-				
18	-		-	-				
17	-		-	-				
16	-		-	-				
15	-		-	-				
14	-		-	-				
13	-		-	-				
12	-		-	-				
11	-		-	-				
10	-	FULL PLYWOOD BACKING	-	-	✓			
9	1	CORRUGATED PROTECTIVE PAD	-	-	✓			
8	1	12" x 1-1/4" GRAB BAR	-	-	✓			
7	1	24" x 1-1/4" GRAB BAR	-	-	✓			
6	1	27" x 36" x 1-1/4" L GRAB BAR	-	-	✓			
5	1	SYMMONS S-96-400-B30-L-X-V, VALVE, GLIDE BAR KIT & SPOUT	-	-	✓			
4	1	30" x 15" FOLD DOWN SEAT, PHENOLIC	-	-	✓			
3	2	SURFACE MOUNT SOAP DISH	-	-	✓			
2	1	AQA MOUNTING BRACKET SET	-	-		✓		
1	1	CURTAIN ROD	-	-		✓		

PARTS LIST



PROJECT:  
COMPANY:

REFER TO SHEET 1 OF 2 FOR ACCESSORY LOCATIONS

DATE: 01/04/08

DRAWING NUMBER:  
4581

SHEET 2 OF 2