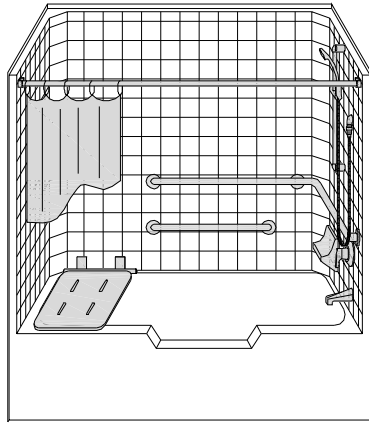
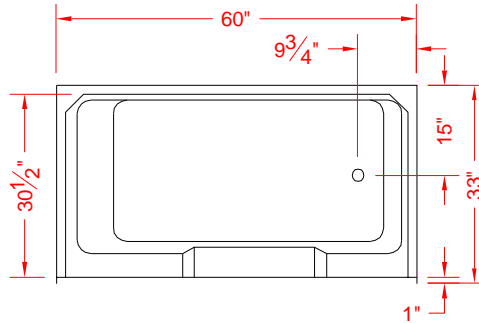


# MODEL: CTS6032A18

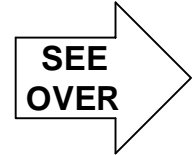


**PERSPECTIVE VIEW - N.T.S.**  
**MODEL SHOWN HERE AS:**  
 LEFT SEAT  
 RIGHT PLUMBING

ALL ACCESSORIES OPTIONAL

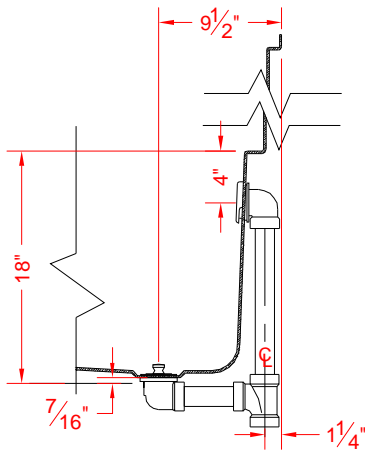


**TOP VIEW - SCALE  $\frac{3}{8}'' = 1'-0''$**

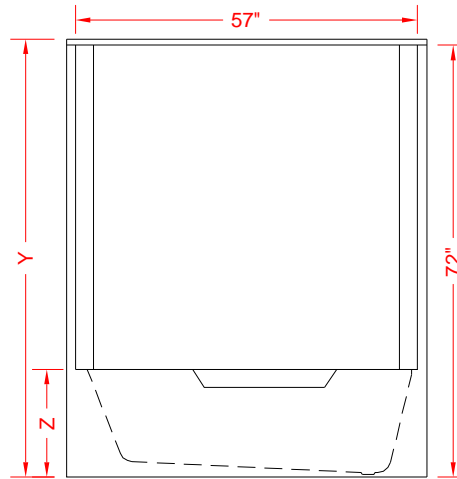


## Features:

- ADA compliant bathtub
- Molded, one piece fiberglass tub/shower module
- "Classic Tile" wall finish, white (standard)
- Integral full wood backing for strength and unlimited accessory placement



**ROUGH-IN DETAIL - N.T.S.**  
 (PARTS SUPPLIED BY OTHERS)



**FRONT ELEVATION - SCALE:  $\frac{3}{8}'' = 1'-0''$**

	UNIT HEIGHT	THRESHOLD HEIGHT
MODEL #	Y	Z*
CTS6032A18	73"	18"
-	-	-

\* - SEE BACK FOR DETAIL SECTIONS

## PRODUCT SPECIFICATIONS:

- One piece tub/shower module shall be constructed of gelcoat/fiberglass with full integral plywood backing
- Rough-In: Stud opening +1/4" -0" Nominal Dimensions.

C.S.I. FORMAT SPECIFICATION TEXT AVAILABLE

### PRODUCT INFORMATION:

- Accessories: Factory installed, unless prone to damage during installation/shipping. Polished chrome/satin stainless standard, others available.
- Colors: White as standard, others to match any major fixture manufacturer, also available with sprayable solid surface in many colors

### ACCESSORIES:

#### INSTALLED AT FACTORY:

- Grab bar
- Seat, folding
- Mixing valve, pressure balanced, lever handle, preplumbed tree to supply elbow
- Vacuum breaker
- Soap dish

#### INSTALLED BY OTHERS:

- Curtain and rod

### CODES:

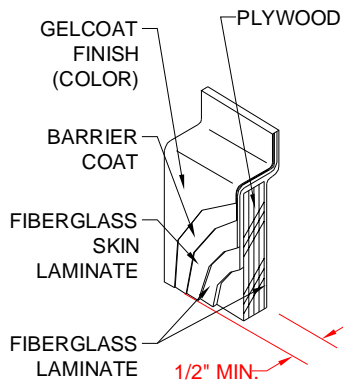
- Designed and manufactured in compliance with the following standards and codes:
- A.N.S.I. Z124.1 Standards for Plastic Bathtubs
  - I.P.C. International Plumbing Code
  - A.D.A. Accessibility Guidelines for Buildings and Facilities
  - A.N.S.I. A117.1 Accessible and Usable Buildings and Facilities
  - U.P.C. Uniform Plumbing Code

### NOTICE OF LIMITATION:

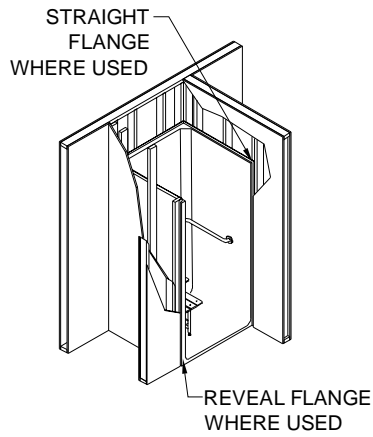


DIV. OF FIBERGLASS SYSTEMS INC.  
 www.best-bath.com 1-800-727-9907

*We reserve the right to make revisions without notice in the design of fixtures or in packaging unless this right has specifically been waived at the time the order is accepted.*



**DETAIL B - SCALE: 3" = 1'-0"**  
**WALL SECTION DETAIL**



**DETAIL C - SCALE: NTS**  
**TYPICAL FRAMING**