



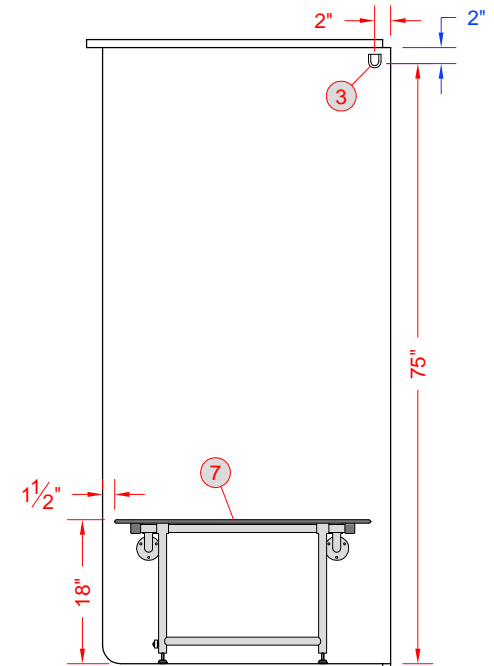
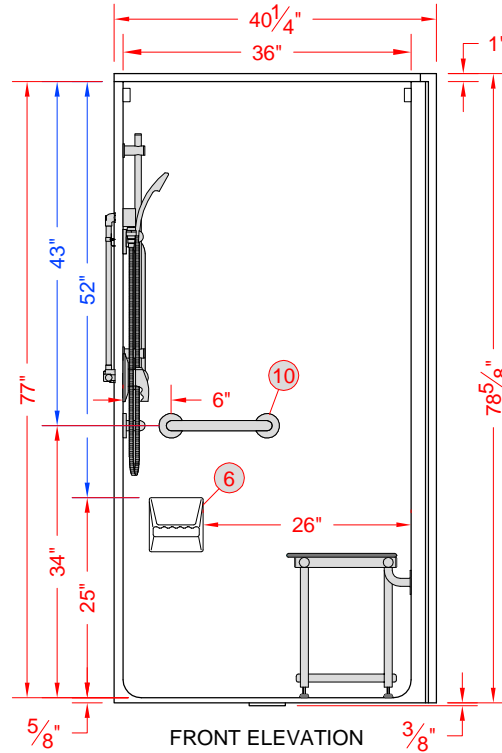
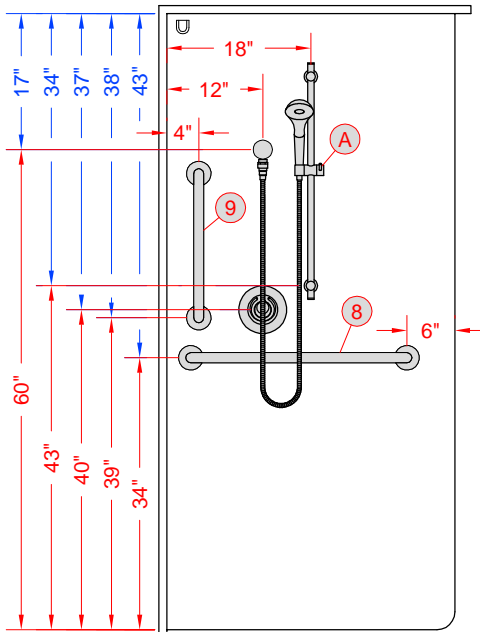
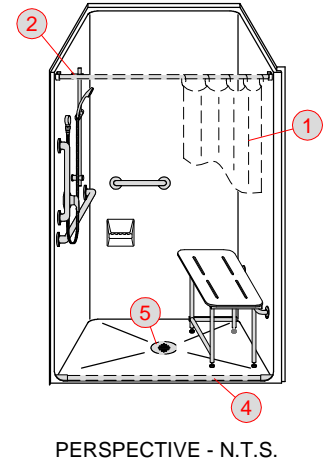
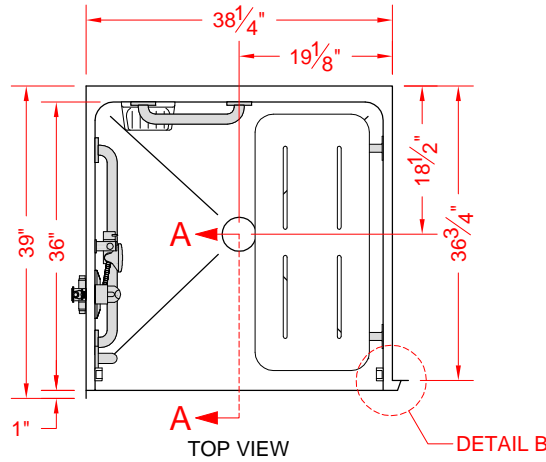
**ADA  
COMPLIANT**



**DIMENSIONS  
IN BLUE  
ARE FOR  
INTERNAL  
USE ONLY**

ADA/ANSI COMPLIANT WHEN  
FULLY EQUIPPED

**STANDARD  
CONFIGURATION**



E	---	---
D	---	---
C	---	---
B	---	---
A	---	---
REV	CHANGE	DATE

PROJECT:  
COMPANY:

DB:MA	SCALE: 1/2" = 1'-0"	DATE: 12/11/12
CB:PVR	SHEET 1 OF 2	DRAWING NUMBER: 9011

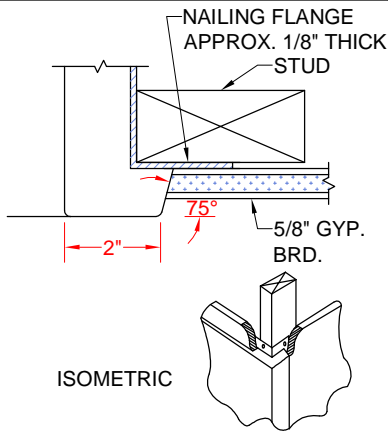


**NOTES:**  
 • Rough-in stud opening +1/4" -0" nominal dimensions  
 • All vertical accessory dimensions are measured from the floor of the shower.  
 • Best Bath Systems, Inc. retains ownership of all product designs and any proprietary information may not be disclosed to its competitors, their agents or affiliates.

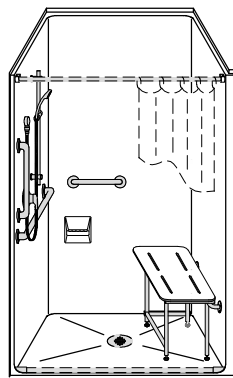
ACCEPTED AS CORRECT BY:  
 X \_\_\_\_\_ / /

**OPTION VERIFICATION**

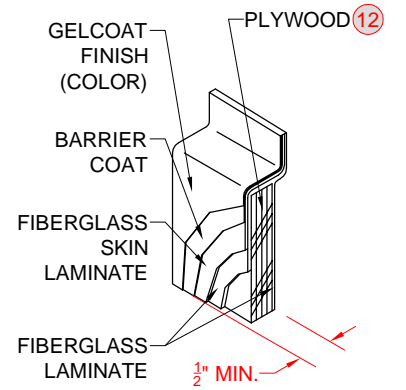
**MODEL: LSS4038A5T - LEFT PLUMBING, OPP SEAT/REVEAL**



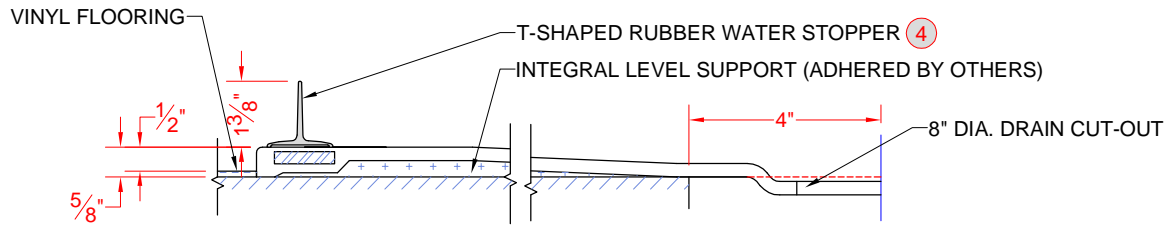
DETAIL B - SCALE: 3" = 1'-0"



PERSPECTIVE N.T.S.



LAMINATE DETAIL C - SCALE: 3" = 1'-0"



SECTION A-A - SCALE: 3" = 1'-0"

**VALVE PACKAGE DETAILS:**

A	(1) SYMMONS VALVE PACKAGE 25-300-B30-V-LR-X-1.5 - PRESSURE BALANCING VALVE , 30" GLIDE BAR, 1.5 GPM HAND HELD SHOWER, 60" HOSE, SUPPLY ELBOW & VACUUM BREAKER		ACXSYM1008	✓		
<b>PLUMBING TREE:</b> SYMMONS STANDARD 20" WITH PRESSURE BALANCING VALVE			PTS101	✓		
<b>PT NIPPLE SIZE:</b>	STANDARD 2.5" NIPPLE	<b>SUPPLY TEST:</b>	STANDARD	020PLUM1003	✓	
<b>PLUMBING TREE CUSTOM PARTS:</b> N/A						
B						

FOR THE PROTECTION OF YOUR ACCESSORIES, SOME ITEMS INCLUDED IN THE VALVE PACKAGE WILL NOT BE INSTALLED AT THE FACTORY. THESE ITEMS INCLUDE BUT ARE NOT LIMITED TO THE SUPPLY ELBOW, VACUUM BREAKER, HOSE AND HAND HELD SHOWER.

14								
13								
12	-	FULL PLYWOOD BACKING			✓			
11	1	<b>KIT PACKAGE FOR ADA TRANSFER SHOWERS - INCLUDES 1-10 + A</b>		<b>KPACKATXX38</b>				
10		(1) 12" x 1-1/4" GRAB BAR		GB12QSS	✓			
9		(1) 18" x 1-1/4" GRAB BAR		GB18QSS	✓			
8		(1) 27" x 1-1/4" GRAB BAR		GB27QSS	✓			
7		(1) 32" x 16" FOLD DOWN SEAT WITH SWING DOWN LEGS, PHENOLIC		SE3216PHSO	✓			
6		(1) SURFACE MOUNT SOAP DISH, SMALL	WHITE	SOAPDISHSMAA	✓			
5		(1) OATEY 42150 NO CAULK BRASS DRAIN WITH STAINLESS STEEL SCREEN AND 42157 GASKET FOR CONNECTION TO NO-HUB CAST IRON PIPE		KACXDRAIN2002	✓	✓		
4		(1) T-SHAPED RUBBER WATER STOPPER KIT, 3 FT, LARGE END CAPS	GREY	KTWSG3L	✓			
3		AQA MOUNTING BRACKETS (PART OF CURTAIN ROD KIT)		-	✓			
2		(1) 20 GAUGE STAINLESS STEEL CURTAIN ROD KIT		KACXROD37.5	✓			
1		(1) 42" x 74" CURTAIN		KACXCURT0001	✓			
<b>KEY</b>	<b>QTY.</b>	<b>DESCRIPTION</b>	<b>COLOR</b>	<b>PART NUMBER</b>	<b>FACTORY INSTALLED</b>	<b>INSTALLED BY OTHERS</b>	<b>MARK LOCATION ONLY</b>	<b>PRE-DRILL HOLES</b>

**PARTS LIST**



**NOTES:**

REFER TO SHEET 1 OF 2 FOR ACCESSORY LOCATIONS

DATE: 12/11/12

DRAWING NUMBER: 9011

SHEET 2 OF 2