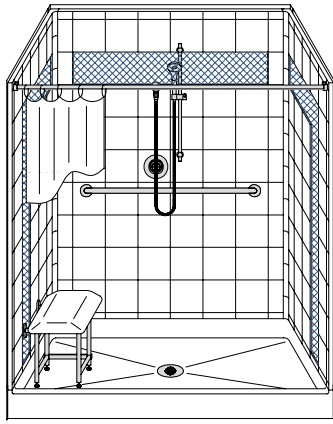


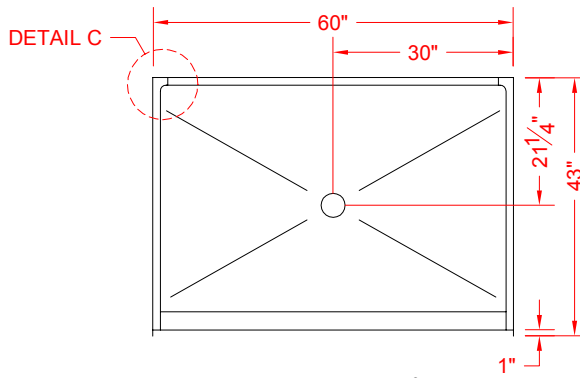
# MODEL: 5LES6042DS

# DESIGNER SERIES

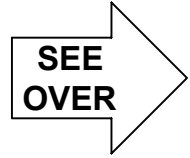


PERSPECTIVE VIEW - N.T.S.

ALL ACCESSORIES OPTIONAL

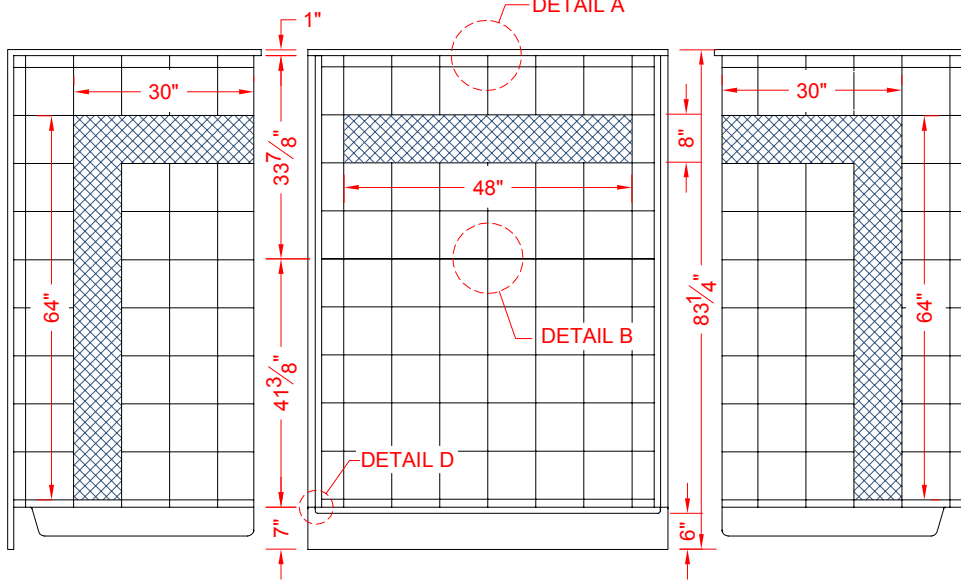


TOP VIEW - SCALE  $\frac{3}{8}'' = 1'-0''$



## Features:

- Molded, 5 piece gelcoat/fiberglass curbed shower module
- $\frac{3}{8}''$  deep recessed areas to install real ceramic/glass tile accents
- "Eight Inch Tile" wall finish, white (standard)
- Integral full wood backing for strength and unlimited accessory placement



INT. LEFT ELEVATION

FRONT ELEVATION - SCALE  $\frac{3}{8}'' = 1'-0''$

INT. RIGHT ELEVATION

\* - SEE BACK FOR DETAIL SECTIONS

## PRODUCT SPECIFICATIONS:

- Multi piece shower module shall be constructed of gelcoat/fiberglass with full integral plywood backing
- Rough-In: Stud opening +1/4" -0" Nominal Dimensions.

C.S.I. FORMAT SPECIFICATION TEXT AVAILABLE

## PRODUCT INFORMATION:

- Accessories: Polished chrome/satin stainless standard, others available.
- Colors: White as standard, others to match any major fixture manufacturer, also available with sprayable solid surface in many colors
- Custom curb heights, other than shown, are available (between min. and max.)

## ACCESSORIES:

### INSTALLED BY OTHERS:

- Grab bar
- Mixing valve, pressure balanced, lever handle, preplumbed tree to supply elbow
- Soap dish
- Curtain and rod
- Caulkless drain

## CODES:

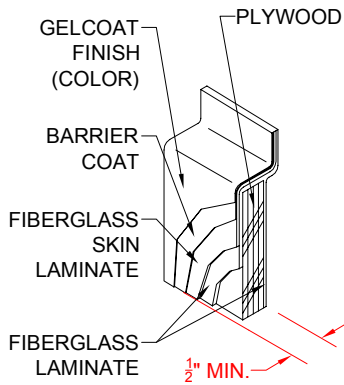
- Designed and manufactured in compliance with the following standards and codes:
- A.N.S.I. Z124.2 Standards for Plastic Showers
  - I.P.C. International Plumbing Code
  - U.P.C. Uniform Plumbing Code

## NOTICE OF LIMITATION:

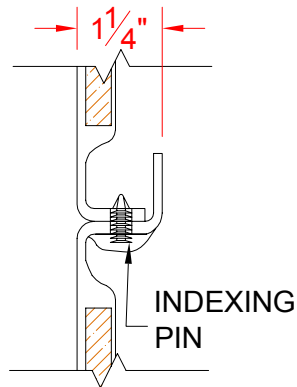


BEST BATH SYSTEMS INC.  
www.best-bath.com 1-800-727-9907

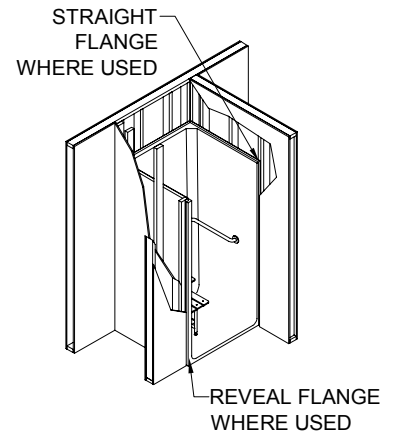
*We reserve the right to make revisions without notice in the design of fixtures or in packaging unless this right has specifically been waived at the time the order is accepted.*



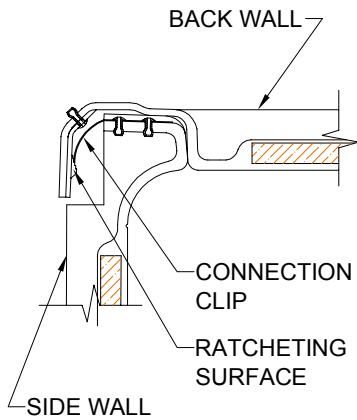
**DETAIL A - SCALE: 3" = 1'-0"**  
**WALL SECTION DETAIL**



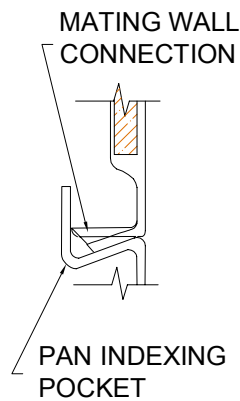
**DETAIL B - SCALE: 3" = 1'-0"**  
**BACKWALL JOINT DETAIL**



**TYPICAL FRAMING**



**DETAIL C - SCALE: NTS**  
**WALL JOINT DETAIL**



**DETAIL D - SCALE: NTS**  
**PAN JOINT DETAIL**