

# 3LEN4242

---

Remodeler



3 piece 42" x 42" Remodel corner shower with soap tower, traditional 5 inch threshold and center drain.

Strong, luxurious polyester gelcoat composite fiberglass shower with "Eight Inch Tile" look finish. Full plywood backing on all walls for outstanding strength and customized installation of accessories. Easy snap-in-place installation from the front.

Dimensions:

42" x 42" x 80 1/2"

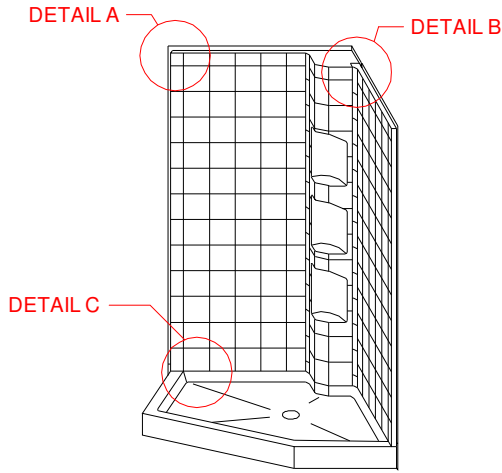
Accessories available: Safety bars, padded seat, shower valve, glide bar with hand held shower, curtain and rod, drain and flange and window trim kits for easy finish.



Safe Bathing for people of all abilities

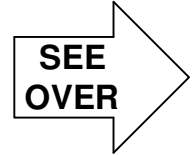
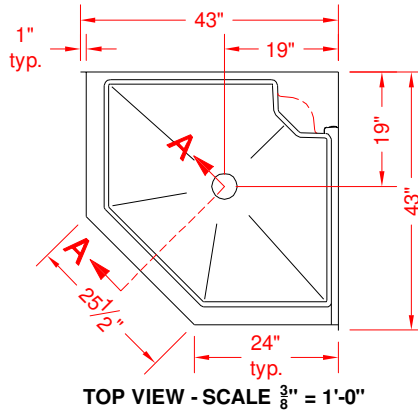
# MODEL: 3LEN4242

# Remodeler



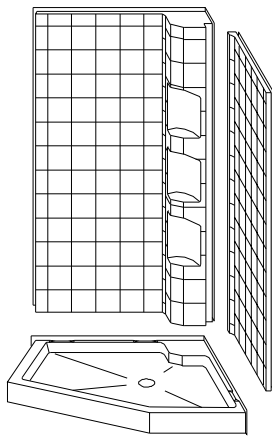
PERSPECTIVE VIEW - N.T.S.

ALL ACCESSORIES OPTIONAL

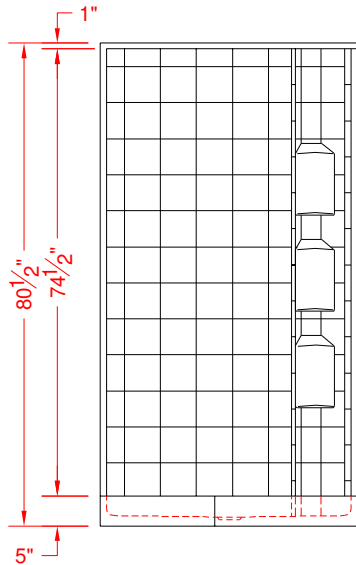


### Features:

- Three-piece gelcoat/fiberglass shower module
- The authentic look of ceramic tile without the grout
- Easy in-place assembly from the front



ASSEMBLY VIEW - N.T.S.



\* - SEE BACK FOR DETAIL SECTIONS

## PRODUCT SPECIFICATIONS:

- Multi piece shower module shall be constructed of gelcoat/fiberglass with full integral plywood backing in the walls
- Rough-In: Stud opening +1/4" -0" Nominal Dimensions.
- Door dimensions 22" x 24-1/4" x 22" Call factory for height
- C.S.I. FORMAT SPECIFICATION TEXT AVAILABLE

## PRODUCT INFORMATION:

- Accessories: Factory installed, unless prone to damage during installation/shipping. Polished chrome/satin stainless standard, others available.
- Colors: White as standard, others to match any major fixture manufacturer, also available with sprayable solid surface in many colors

## ACCESSORIES:

### INSTALLED BY OTHERS:

- Grab bar
- Seat, folding
- Mixing valve, pressure balanced, lever handle, preplumbed tree to supply elbow
- Curtain and rod

## CODES:

- Designed and manufactured in compliance with the following standards and codes:
- A.N.S.I. Z1241.2 Standards for plastic Bathtubs and Showers
  - I.P.C. International Plumbing Code
  - U.P.C. Uniform Plumbing Code

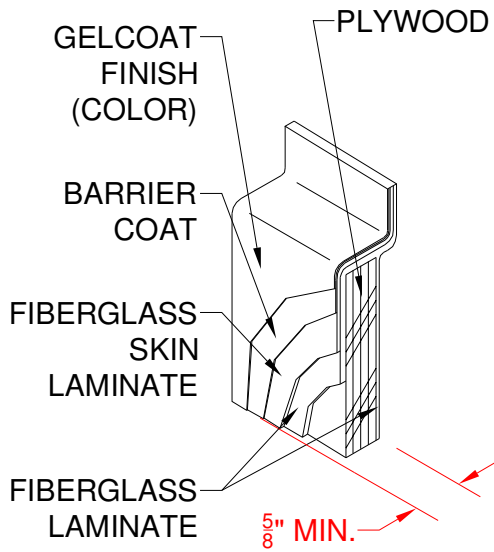
## NOTICE OF LIMITATION:



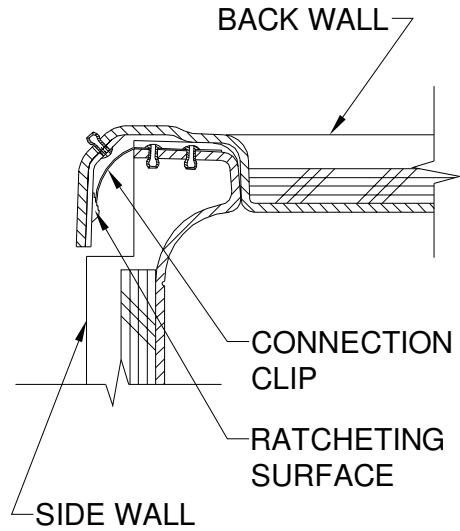
DIV. OF FIBERGLASS SYSTEMS INC.  
www.best-bath.com 1-800-727-9907

We reserve the right to make revisions without notice in the design of fixtures or in packaging unless this right has specifically been waived at the time the order is accepted.

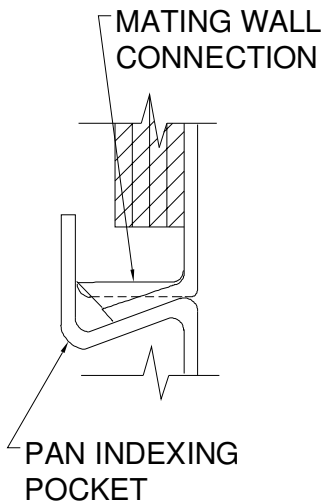
# Remodeler



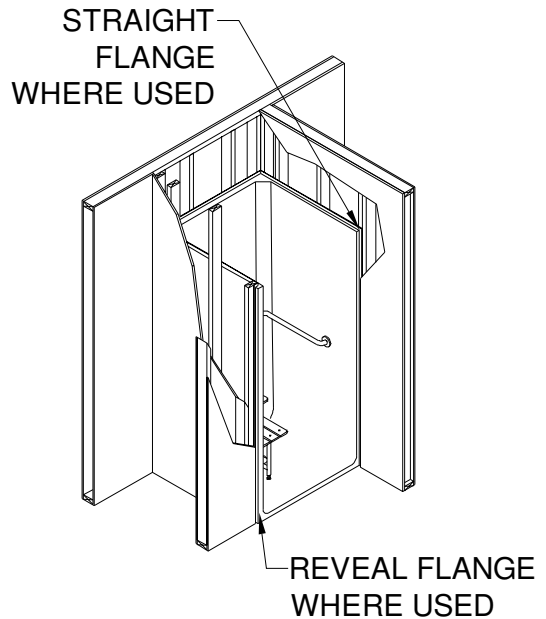
DETAIL A - SCALE N.T.S.  
WALL SECTION DETAIL



DETAIL B - SCALE N.T.S.  
WALL JOINT DETAIL



DETAIL C - SCALE N.T.S.  
WALL / PAN JOINT DETAIL



DETAIL D - SCALE N.T.S.  
TYPICAL FRAMING DETAIL