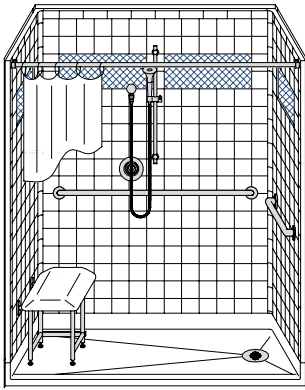


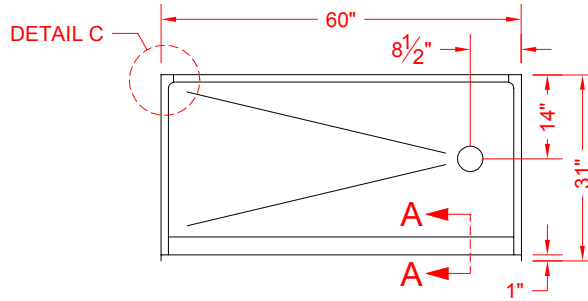
# MODEL: 5LRS6030DS17T\*

# DESIGNER SERIES

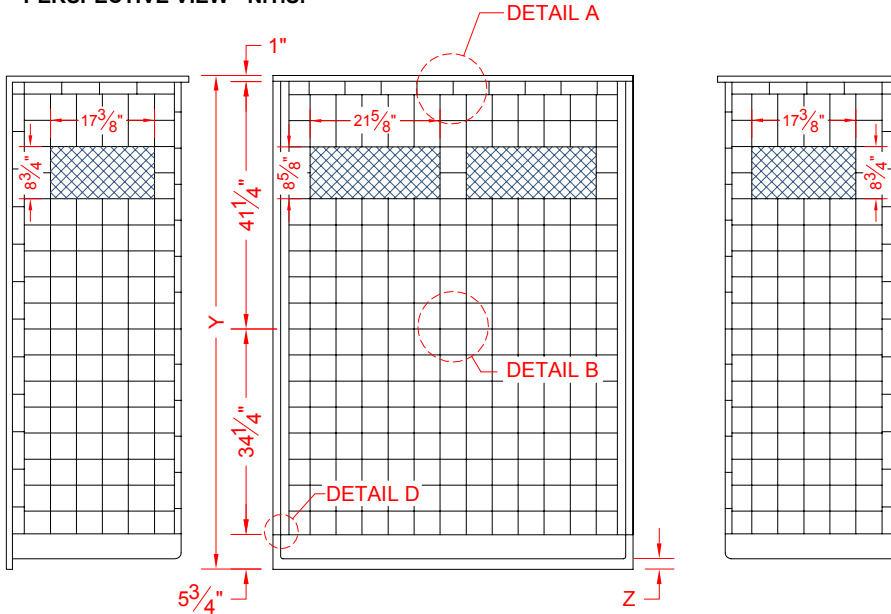
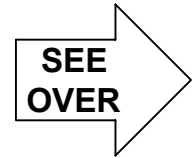
ALL ACCESSORIES OPTIONAL



PERSPECTIVE VIEW - N.T.S.



TOP VIEW - SCALE  $\frac{3}{8}'' = 1'-0''$



INT. LEFT ELEVATION

FRONT ELEVATION - SCALE:  $\frac{3}{8}'' = 1'-0''$

INT. RIGHT ELEVATION

## Features:

- Molded, 5 piece gelcoat/fiberglass barrier free shower module
- $\frac{3}{8}''$  deep recessed areas to install real  $\frac{3}{8}''$  ceramic/glass tile accents
- Available in various threshold heights
- "RealTile" wall finish, white (standard)
- Integral full wood backing for strength and unlimited accessory placement

## \*OTHER THRESHOLD HEIGHTS AVAILABLE UPON REQUEST

MODEL #	UNIT HEIGHT	THRESHOLD HEIGHT
	Y	Z*
5LRS6030DS17T	82-1/4"	1-3/4" MIN.
5LRS6030DS2T	82-1/2"	2" MAX.

\* - SEE BACK FOR DETAIL SECTIONS

## PRODUCT SPECIFICATIONS:

- Multi piece shower module shall be constructed of gelcoat/fiberglass with full integral plywood backing
- Rough-In: Stud opening +1/4" -0" Nominal Dimensions.

C.S.I. FORMAT SPECIFICATION TEXT AVAILABLE

## PRODUCT INFORMATION:

- Accessories: Polished chrome/satin stainless standard, others available.
- Colors: White as standard, others to match any major fixture manufacturer, also available with sprayable solid surface in many colors
- Custom curb heights, other than shown, are available (between min. and max.)

## ACCESSORIES:

### INSTALLED BY OTHERS:

- Grab bar
- Seat, folding
- Mixing valve, pressure balanced, lever handle, preplumbed tree to supply elbow
- Soap dish
- Curtain and rod
- T-Shaped Rubber WaterStopper Kit
- Semi-permanent Threshold Adaptor
- Caulkless drain

## CODES:

- Designed and manufactured in compliance with the following standards and codes:
- A.N.S.I. Z124.2 Standards for Plastic Showers
  - I.P.C. International Plumbing Code
  - U.P.C. Uniform Plumbing Code

## NOTICE OF LIMITATION:



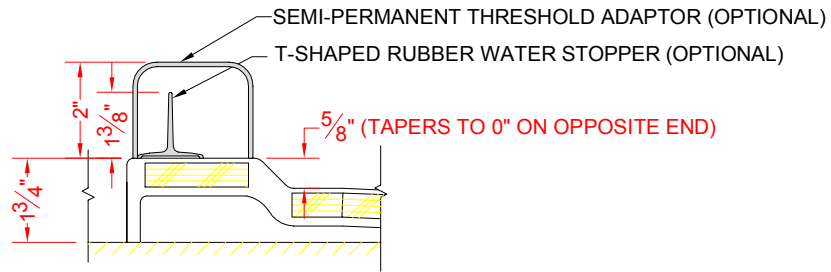
BEST BATH SYSTEMS INC.  
www.best-bath.com 1-800-727-9907

We reserve the right to make revisions without notice in the design of fixtures or in packaging unless this right has specifically been waived at the time the order is accepted.

Updated 09/2013

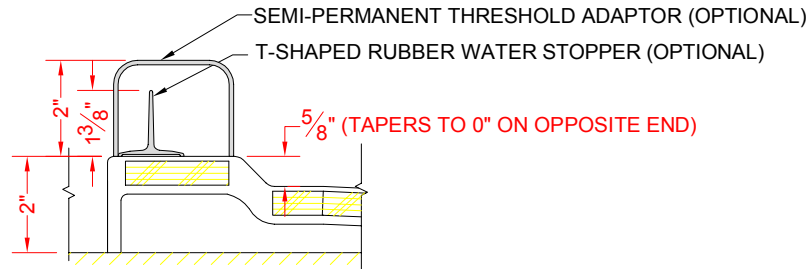
page 1 of 2

□ 5LRS6030DS17T



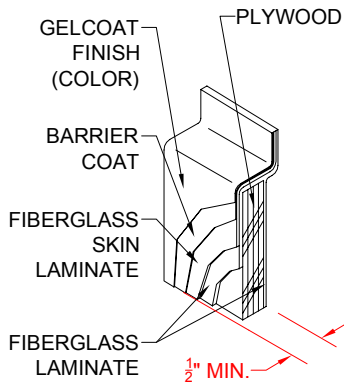
SECTION A-A - SCALE: 3" = 1'-0"

□ 5LRS6030DS2T

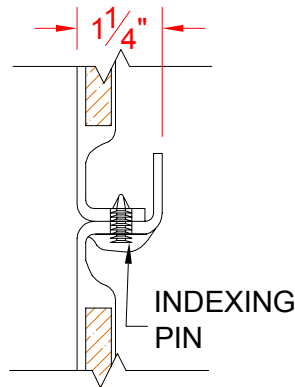


SECTION A-A - SCALE: 3" = 1'-0"

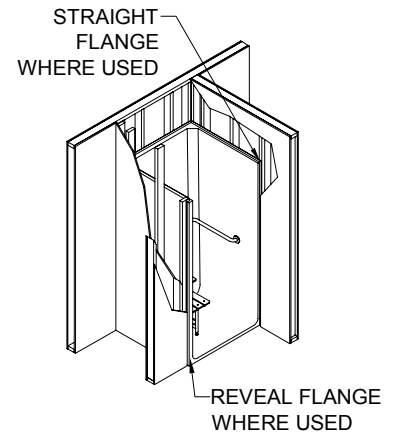
**\*\*OTHER THRESHOLD HEIGHTS AVAILABLE UPON REQUEST\*\***



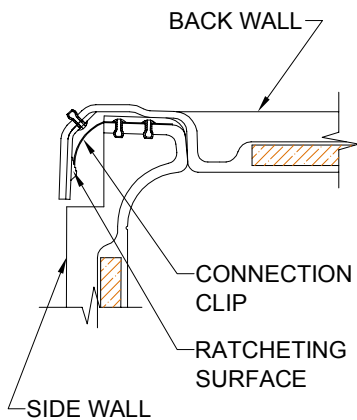
DETAIL A - SCALE: 3" = 1'-0"  
WALL SECTION DETAIL



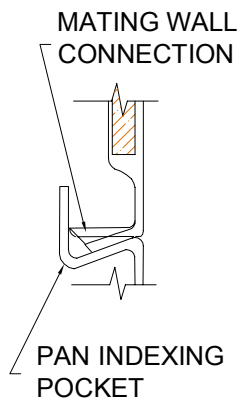
DETAIL B - SCALE: 3" = 1'-0"  
BACKWALL JOINT DETAIL



TYPICAL FRAMING



DETAIL C - SCALE: NTS  
WALL JOINT DETAIL



DETAIL D - SCALE: NTS  
PAN JOINT DETAIL