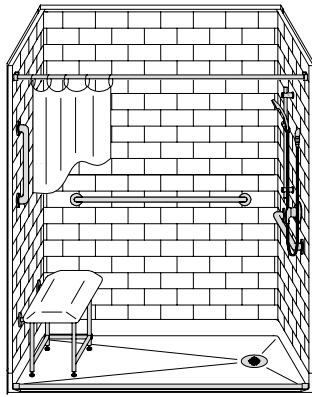


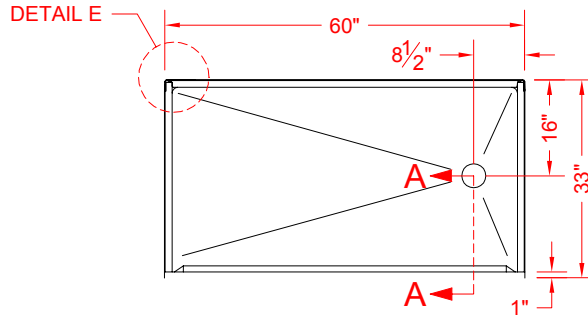
MODEL: 5LBS6032FBE75B*

BARRIER FREE

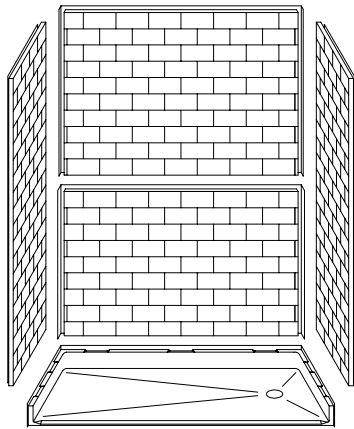
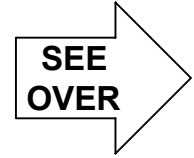
ALL ACCESSORIES OPTIONAL



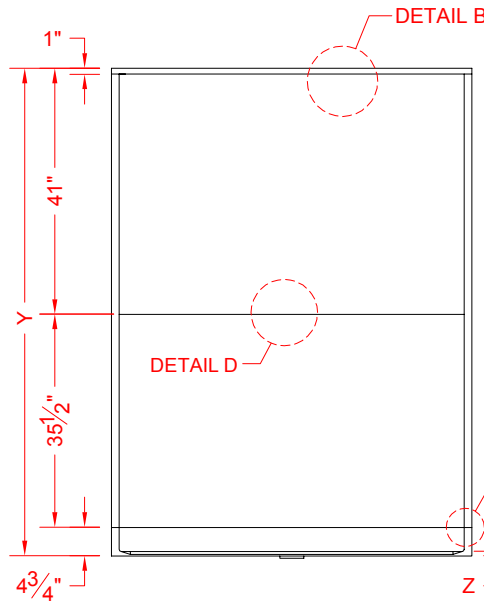
PERSPECTIVE VIEW - N.T.S.
MODEL SHOWN HERE AS:
 RIGHT PLUMBING
 LEFT SEAT
 RIGHT DRAIN



TOP VIEW - SCALE $\frac{3}{8}'' = 1'-0''$



ASSEMBLY VIEW - N.T.S.



FRONT ELEVATION - SCALE: $\frac{3}{8}'' = 1'-0''$

Features:

- Molded, 5 piece gelcoat/fiberglass shower module
- Available in various threshold heights
- "Subway Tile", 4" x 8" simulated tile wall finish, white (standard)
- Integral full wood backing for strength and unlimited accessory placement
- On all threshold heights 1-1/2" or taller, no mud set is required
- On all threshold heights 1-1/4" or shorter, no mud set is required and an anchoring adhesive kit is supplied
- Flat upper back wall to avoid interference for window trim kits, grab bars, etc.

*OTHER THRESHOLD HEIGHTS AVAILABLE UPON REQUEST

MODEL #	UNIT HEIGHT	THRESHOLD HEIGHT
5LBS6032FBE75B	Y	Z*
5LBS6032FBE2B	81-1/4"	3/4" MIN.
	82-1/2"	2" MAX.

* - SEE BACK FOR DETAIL SECTIONS

PRODUCT SPECIFICATIONS:

- Multi piece shower module shall be constructed of gelcoat/fiberglass with full integral plywood backing
- Rough-In: Stud opening +1/4" -0" Nominal Dimensions.

C.S.I. FORMAT SPECIFICATION TEXT AVAILABLE

PRODUCT INFORMATION:

- Accessories: Factory installed, unless prone to damage during installation/shipping. Polished chrome/satin stainless standard, others available.
- Colors: White as standard, others to match any major fixture manufacturer, also available with sprayable solid surface in many colors
- Custom curb heights, other than shown, are available (between min. and max.)

ACCESSORIES:

INSTALLED BY OTHERS:

- Grab bar
- Seat, folding
- Mixing valve, pressure balanced, lever handle, preplumbed tee to supply elbow
- Curtain and rod
- T-Shaped Rubber WaterStopper Kit
- Semi-permanent Threshold Adaptor
- Caulkless drain

CODES:

- Designed and manufactured in compliance with the following standards and codes:
- A.N.S.I. Z124.2 Standards for Plastic Showers
 - I.P.C. International Plumbing Code
 - U.P.C. Uniform Plumbing Code

NOTICE OF LIMITATION:

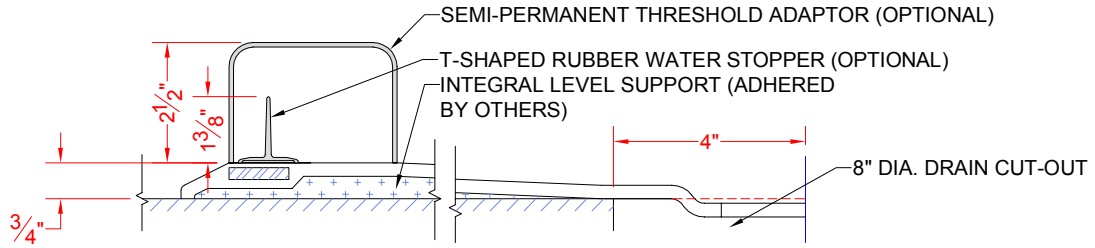
- Adhere to floor as required



BEST BATH SYSTEMS INC.
 www.best-bath.com 1-800-727-9907

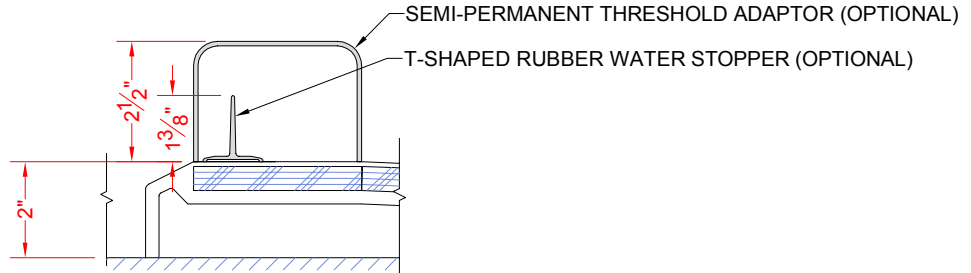
We reserve the right to make revisions without notice in the design of fixtures or in packaging unless this right has specifically been waived at the time the order is accepted.

5LBS6032FBE75B



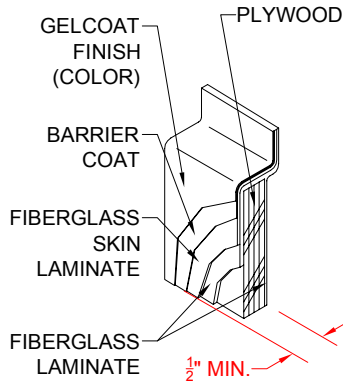
SECTION A-A - SCALE: 3" = 1'-0"

5LBS6032FBE2B

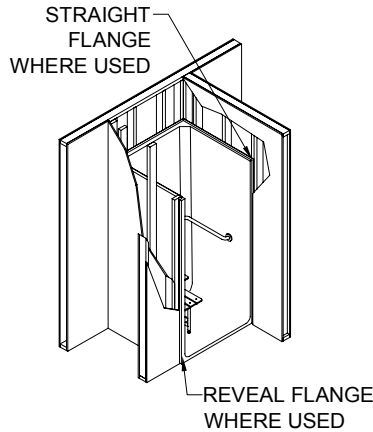


SECTION A-A - SCALE: 3" = 1'-0"

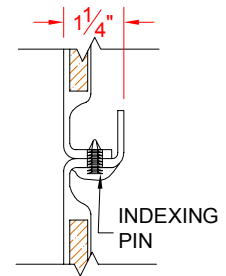
****OTHER THRESHOLD HEIGHTS AVAILABLE UPON REQUEST****



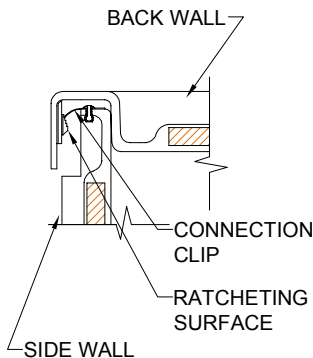
DETAIL B - SCALE: N.T.S.
WALL SECTION DETAIL



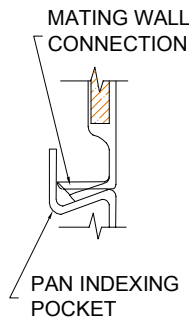
DETAIL C - SCALE: N.T.S.
TYPICAL FRAMING



DETAIL D - SCALE: N.T.S.
BACKWALL JOINT DETAIL



DETAIL E - SCALE: N.T.S.
WALL JOINT DETAIL



DETAIL F - SCALE: N.T.S.
PAN JOINT DETAIL



BEST BATH SYSTEMS INC.
www.best-bath.com 1-800-727-9907