

4LDSS6032

Remodeler

4 piece 60" x 32" Remodel shower with built-in seat, traditional 6 inch threshold and left or right hand drain.

Strong, luxurious polyester gelcoat composite fiberglass shower with "Diamond tile" look finish. Full plywood backing on all walls for outstanding strength and customized installation of accessories. Easy installation from the front.

Dimensions:
60" x 32" x 81"

Accessories available: Safety bars, shower valve, glide bar with hand held shower, curtain and rod, drain and flange and window trim kits for easy finish.

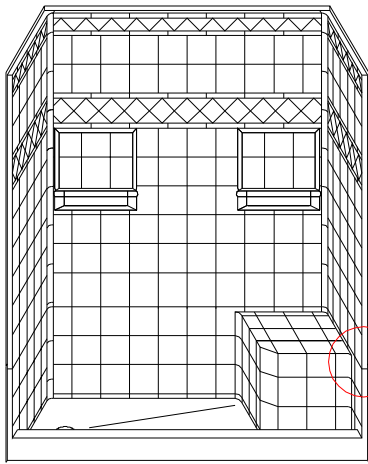
The logo for Best Bath Systems features the words "Best Bath" in a large, elegant serif font, with "SYSTEMS" in a smaller, bold, sans-serif font below it. A red horizontal bar is positioned behind the word "SYSTEMS". To the left of the text is a stylized graphic of a shower head with water spraying.

Safe Bathing for people of all abilities

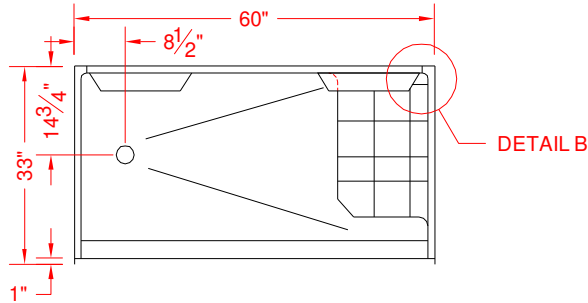
MODEL: 4LDSS6032

ALL ACCESSORIES OPTIONAL

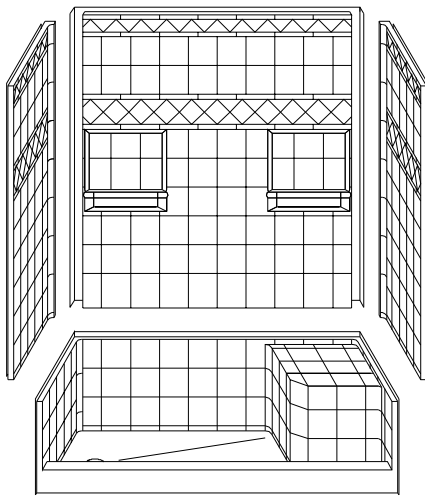
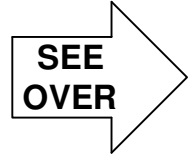
Remodeler



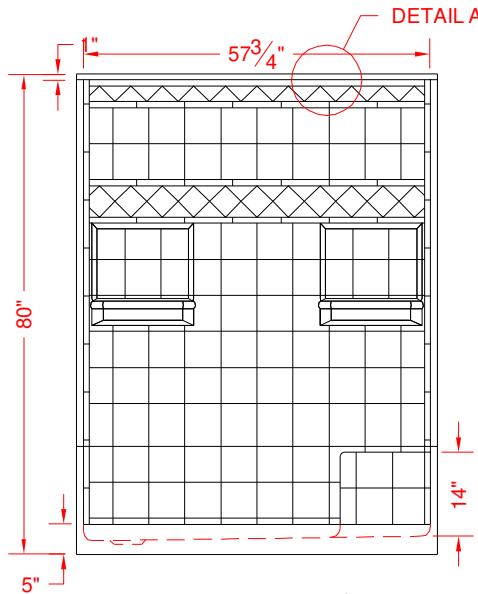
PERSPECTIVE VIEW - N.T.S.
MODEL SHOWN HERE AS: LEFT HAND



TOP VIEW - SCALE $\frac{3}{8}'' = 1'-0''$



ASSEMBLY VIEW - N.T.S.



FRONT ELEVATION - SCALE: $\frac{3}{8}'' = 1'-0''$

Features:

- Gelcoat/fiberglass four-piece seat shower module
- "Diamond Tile" wall finish, white (standard)
- Integral full wood backing for strength and unlimited accessory placement
- The authentic look of ceramic tile without the grout
- Easy in-place assembly from the front

* - SEE BACK FOR DETAIL SECTIONS

PRODUCT SPECIFICATIONS:

- Four-piece seat shower module shall be constructed of gelcoat/fiberglass with full integral plywood backing in the walls
- Rough-In: Stud opening +1/4" -0" Nominal Dimensions.

C.S.I. FORMAT SPECIFICATION TEXT AVAILABLE

PRODUCT INFORMATION:

- Accessories: Factory installed, unless prone to damage during installation/shipping. Polished chrome/satin stainless standard, others available.
- Colors: White as standard, others to match any major fixture manufacturer, also available with sprayable solid surface in many colors

ACCESSORIES:

INSTALLED BY OTHERS:

- Grab bar
- Mixing valve, pressure balanced, lever handle, preplumbed tree to supply elbow
- Vacuum breaker
- Curtain and rod

CODES:

- Designed and manufactured in compliance with the following standards and codes:
- A.N.S.I. Z1241.2 Standards for plastic Bathtubs and Showers

NOTICE OF LIMITATION:

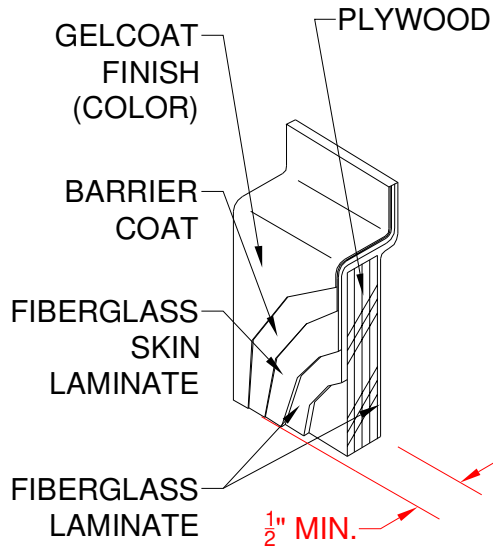


DIV. OF FIBERGLASS SYSTEMS INC.
www.best-bath.com 1-800-727-9907

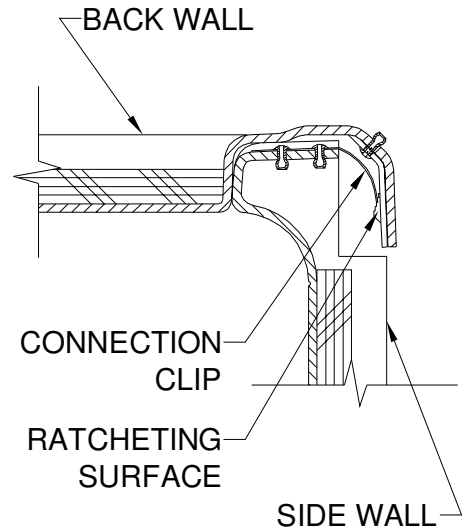
We reserve the right to make revisions without notice in the design of fixtures or in packaging unless this right has specifically been waived at the time the order is accepted.



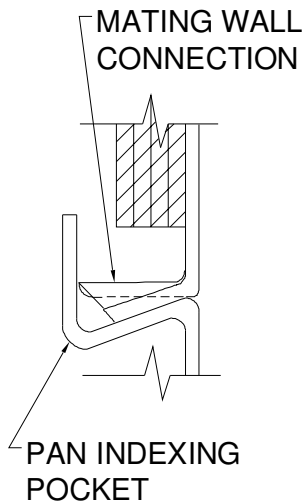
Remodeler



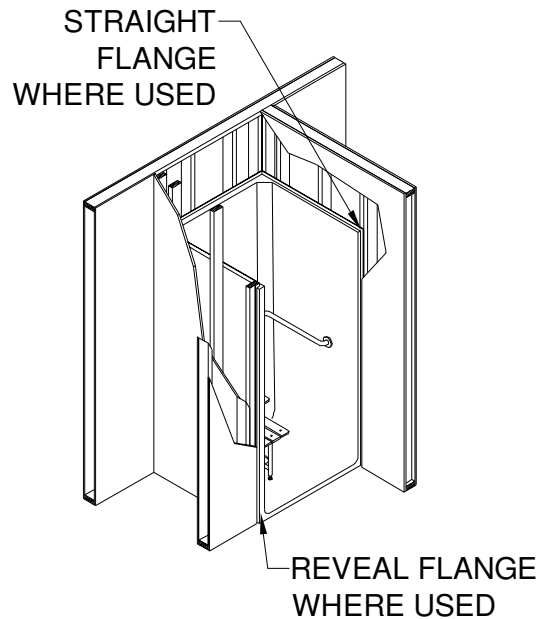
DETAIL A - SCALE N.T.S.
WALL SECTION DETAIL



DETAIL B - SCALE N.T.S.
WALL SNAP JOINT DETAIL



DETAIL C - SCALE N.T.S.
WALL / PAN JOINT DETAIL



DETAIL D - SCALE N.T.S.
TYPICAL FRAMING DETAIL