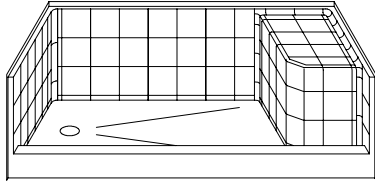


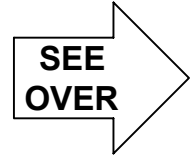
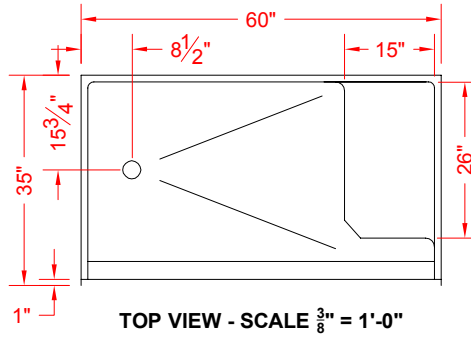
# MODEL: PSS6034

# REMODELER

ALL ACCESSORIES OPTIONAL

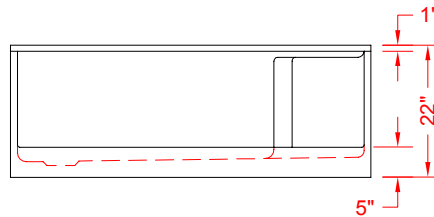


**PERSPECTIVE VIEW - N.T.S.  
MODEL SHOWN HERE AS:  
LEFT HAND**



## Features:

- Gelcoat/fiberglass one piece shower pan
- Six inch Simulated Tile wall finish, white (standard)
- Integral full wood backing for strength and unlimited accessory placement
- The authentic look of ceramic tile without the grout



**FRONT ELEVATION - SCALE:  $\frac{3}{8}'' = 1'-0''$**

\* - SEE BACK FOR DETAIL SECTIONS

## PRODUCT SPECIFICATIONS:

- Seat shower pan shall be constructed of gelcoat/fiberglass with full integral plywood backing in the walls
- Rough-In: Stud opening +1/4" -0" Nominal Dimensions.

C.S.I. FORMAT SPECIFICATION TEXT AVAILABLE

## PRODUCT INFORMATION:

- Accessories: Factory installed, unless prone to damage during installation/shipping. Polished chrome/satin stainless standard, others available.
- Colors: White as standard, others to match any major fixture manufacturer, also available with sprayable solid surface in many colors

## ACCESSORIES:

### INSTALLED BY OTHERS:

- Grab bar
- Mixing valve, pressure balanced, lever handle, preplumbed tree to supply elbow
- Curtain and rod
- Caulkless Drain

## CODES:

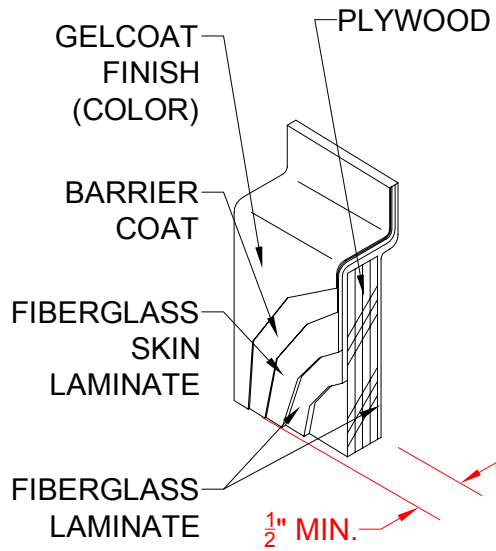
- Designed and manufactured in compliance with the following standards and codes:
- A.N.S.I. Z1241.2 Standards for plastic Bathtubs and Showers
  - I.P.C. International Plumbing Code
  - U.P.C. Uniform Plumbing Code

## NOTICE OF LIMITATION:

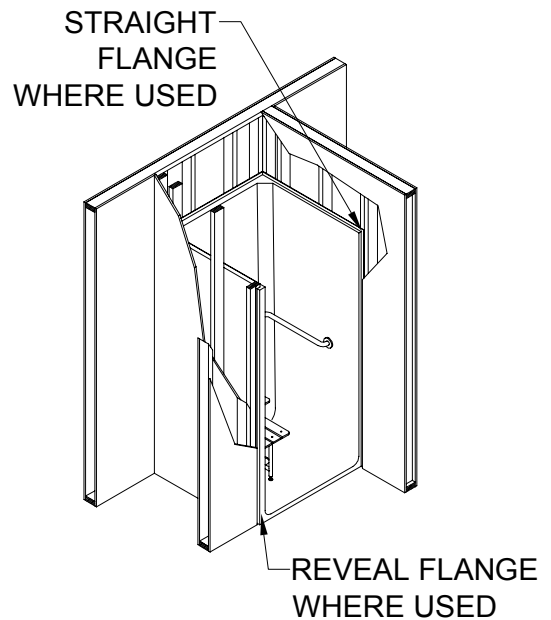


BEST BATH SYSTEMS INC.  
www.best-bath.com 1-800-727-9907

*We reserve the right to make revisions without notice in the design of fixtures or in packaging unless this right has specifically been waived at the time the order is accepted.*



DETAIL A - SCALE N.T.S.  
WALL SECTION DETAIL



DETAIL D - SCALE N.T.S.  
TYPICAL FRAMING DETAIL