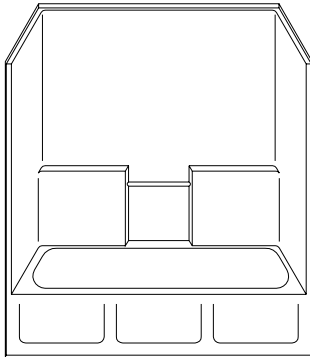


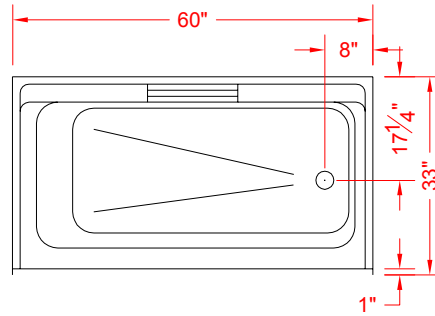
# MODEL: STS6032CP

# INDEPENDENT LIVING

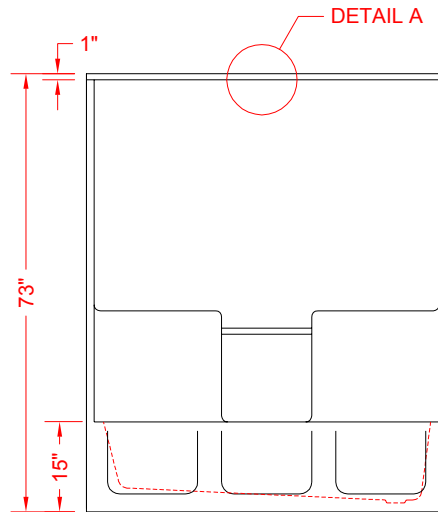
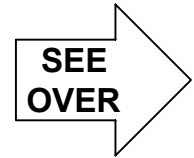
ALL ACCESSORIES OPTIONAL



PERSPECTIVE VIEW - N.T.S.



TOP VIEW - SCALE  $\frac{3}{8}'' = 1'-0''$



FRONT ELEVATION - SCALE:  $\frac{3}{8}'' = 1'-0''$

## Features:

- Molded, one piece gelcoat/fiberglass shower module
- "Smooth" wall finish. White (standard)
- Integral full wood backing for strength and unlimited accessory placement

\* - SEE BACK FOR DETAIL SECTIONS

### PRODUCT SPECIFICATIONS:

- One-piece Tub / Shower module shall be constructed of gelcoat/fiberglass with full integral plywood backing in the walls
- Rough In: Stud Opening + 1/4" - 0 Nominal Dimensions.
- Door opening 56-3/4" x 56-3/4"

C.S.I. FORMAT SPECIFICATION TEXT AVAILABLE

### PRODUCT INFORMATION:

- Accessories: Factory installed, unless prone to damage during installation/shipping. Polished chrome/satin stainless standard, others available.
- Colors: White as standard, others to match any major fixture manufacturer, also available with sprayable solid surface in many colors

### ACCESSORIES:

#### INSTALLED BY OTHERS:

- Grab bar
- Mixing valve, pressure balanced, lever handle, preplumbed tree to supply elbow
- Curtain and rod

### CODES:

- Designed and manufactured in compliance with the following standards and codes:
- A.N.S.I. Z1241.2 Standards for plastic Bathtubs and Showers
  - I.P.C. International Plumbing Code
  - U.P.C. Uniform Plumbing Code

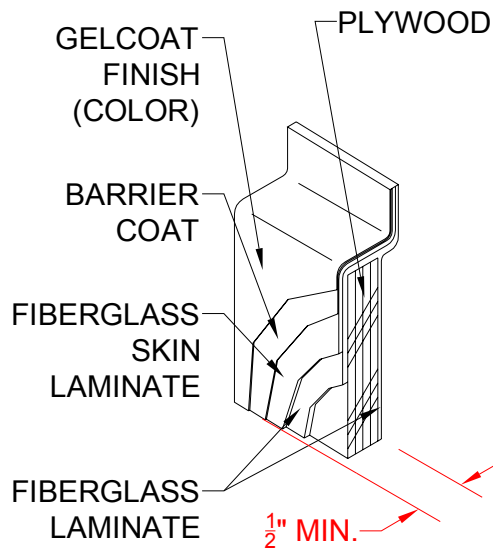
### NOTICE OF LIMITATION:



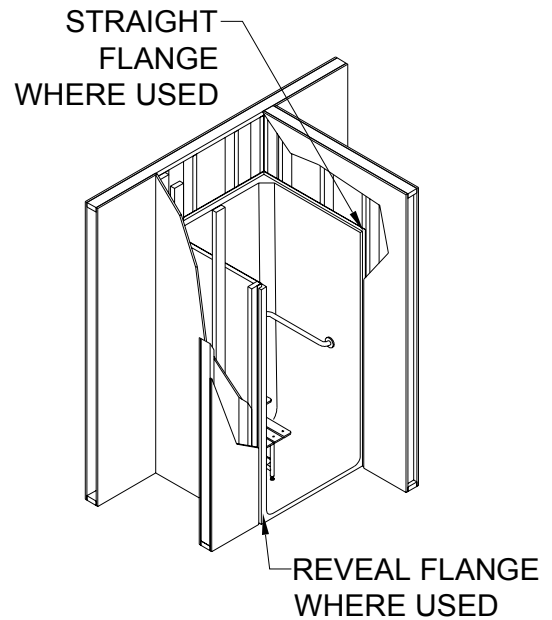
BEST BATH SYSTEMS INC.  
www.best-bath.com 1-800-727-9907

*We reserve the right to make revisions without notice in the design of fixtures or in packaging unless this right has specifically been waived at the time the order is accepted.*

# INDEPENDENT LIVING



DETAIL A - SCALE N.T.S.  
WALL SECTION DETAIL



DETAIL B - SCALE N.T.S.  
TYPICAL FRAMING DETAIL