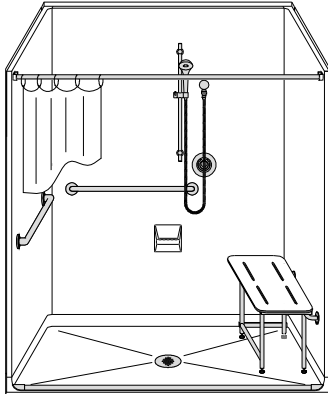


# MODEL: 4LSS6337A75T\*

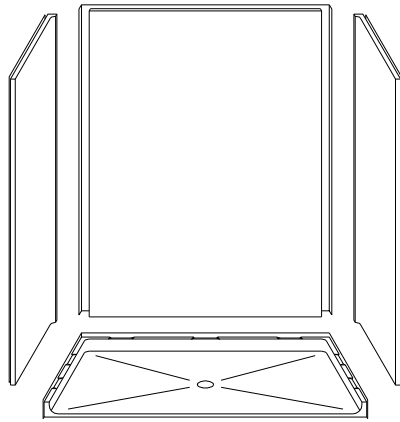
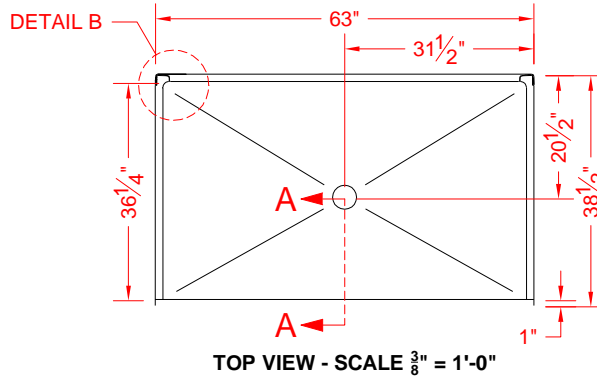
ALL ACCESSORIES OPTIONAL



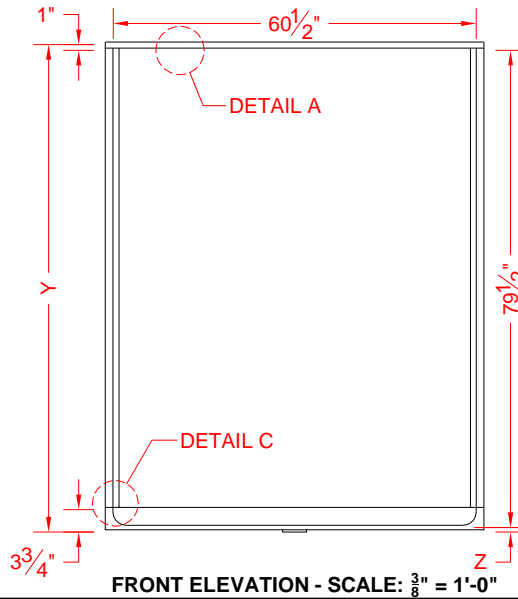
SEE OVER



PERSPECTIVE VIEW - N.T.S.  
MODEL SHOWN HERE AS:  
RIGHT PLUMBING  
RIGHT SEAT



ASSEMBLY VIEW - N.T.S.



## Features:

- ADA compliant multi piece roll-in shower
- Available in various threshold heights
- Molded, four piece gelcoat/fiberglass shower module
- Smoothwall finish, white (standard)
- Integral full wood backing for strength and unlimited accessory placement
- On all threshold heights 1-1/2" or taller, no mud set is required
- On all threshold heights 1-1/4" or shorter, no mud set is required and an anchoring adhesive kit is supplied

## \*OTHER THRESHOLD HEIGHTS AVAILABLE UPON REQUEST

MODEL #	UNIT HEIGHT	THRESHOLD HEIGHT
4LSS6337A75T	Y	Z*
4LSS6337A2T	81-1/4"	3/4" MIN.
	82-1/2"	2" MAX.

\* - SEE BACK FOR DETAIL SECTIONS

## PRODUCT SPECIFICATIONS:

- Multi piece shower module shall be constructed of gelcoat/fiberglass with full integral plywood backing
- Rough-In: Stud opening +1/4" -0" Nominal Dimensions.

C.S.I. FORMAT SPECIFICATION TEXT AVAILABLE

### PRODUCT INFORMATION:

- Accessories: Factory installed, unless prone to damage during installation/shipping. Polished chrome/satin stainless standard, others available.
- Colors: White as standard, others to match any major fixture manufacturer, also available with sprayable solid surface in many colors
- Custom curb heights, other than shown, are available (between min. and max.)

### ACCESSORIES:

#### INSTALLED BY OTHERS:

- Grab bar
- Seat, folding
- Mixing valve, pressure balanced, lever handle, preplumbed tree to supply elbow
- Curtain and rod
- T-Shaped Rubber WaterStopper Kit
- Semi-permanent Threshold Adaptor
- Caulkless drain

### CODES:

- Designed and manufactured in compliance with the following standards and codes:
- A.N.S.I. Z124.2 Standards for Plastic Showers
  - I.P.C. International Plumbing Code
  - U.P.C. Uniform Plumbing Code
  - A.D.A. Accessibility Guidelines for Buildings and Facilities
  - A.N.S.I. A117.1 Accessible and Usable Buildings and Facilities

### NOTICE OF LIMITATION:

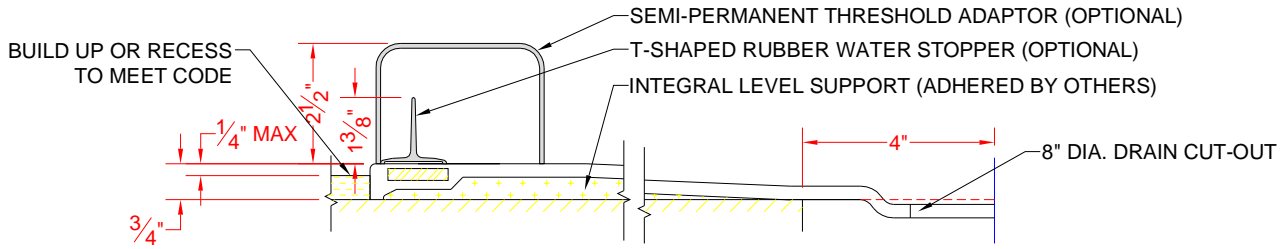
- Adhere to floor as required



BEST BATH SYSTEMS INC.  
www.best-bath.com 1-800-727-9907

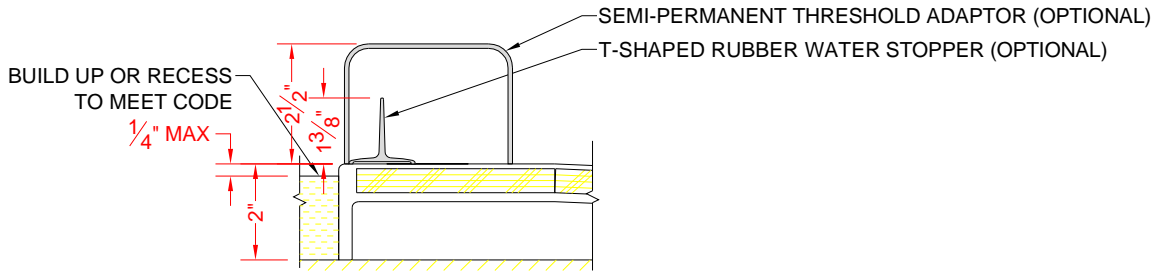
We reserve the right to make revisions without notice in the design of fixtures or in packaging unless this right has specifically been waived at the time the order is accepted.

**4LSS6337A75T**



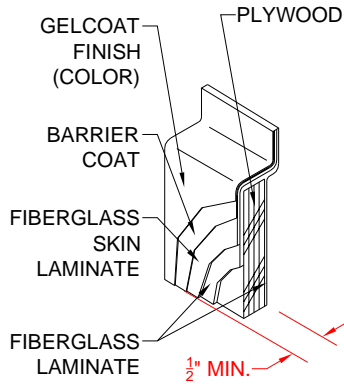
**SECTION A-A - SCALE: 3" = 1'-0"**

**4LSS6337A2T**

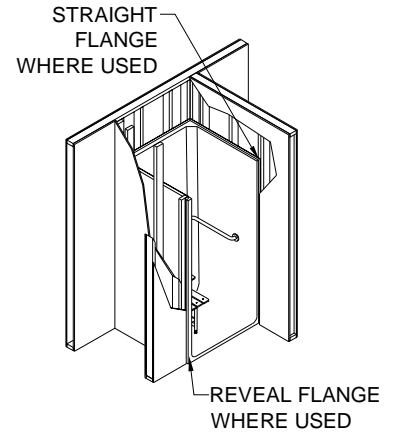


**SECTION A-A - SCALE: 3" = 1'-0"**

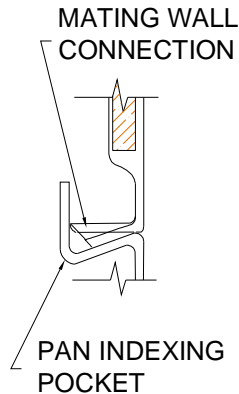
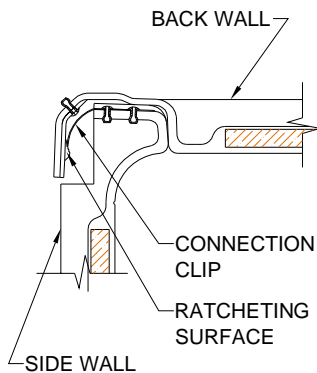
**\*\*OTHER THRESHOLD HEIGHTS AVAILABLE UPON REQUEST\*\***



**DETAIL A - SCALE: N.T.S.  
WALL SECTION DETAIL**



**TYPICAL FRAMING**



**DETAIL C - SCALE: NTS  
PAN JOINT DETAIL**



BEST BATH SYSTEMS INC.  
www.best-bath.com 1-800-727-9907